

## Design for life.

With Miele, refrigeration is more than simply preservation. It is about the richness of flavour, freshness and vitality. Be invigorated by the fresh foods and mellow wines, kept safe from the harshness of time.

**Miele Pte Ltd**

(Company Registration No. 200107464N)  
(GST Registration No. 20-0107464-N)

**Office**

163 Penang Road  
#04-03 Winsland House II  
Singapore 238463

Tel: +65 6735 1191  
Fax: +65 6735 1161

info@miele.com.sg

www.miele.sg

http://designforlife.miele.sg

**Miele Boutique**

167 Penang Road  
#B1-01 Winsland House II  
Singapore 238462

Tel: +65 6735 1191  
Fax: +65 6738 7648

info@miele.com.sg

**Miele Online Boutique**

www.webshop.miele.sg

**Miele Sdn Bhd**

(Company Registration No. 851054-H)

**Office**

Suite 12-2, Level 12  
Menara SapuraKencana  
Petroleum, Solaris Dutamas  
No. 1, Jalan Dutamas 1  
50480 Kuala Lumpur  
Malaysia

info@miele.com.my

**Miele Gallery**

G1-01-1, Level G1  
Menara SapuraKencana  
Petroleum, Solaris Dutamas  
No. 1, Jalan Dutamas 1  
50480 Kuala Lumpur  
Malaysia

Tel: +603 6205 3899  
Fax: +603 6205 3998

boutiquekl@miele.com.my

www.miele.my

PRODUCT CATALOGUE

invigorate

Lasting freshness, absolute enjoyment



# Welcome to Miele

## IMMER BESSER (forever better) – our pledge

When our two great grandfathers were in the process of founding the Miele company, they had to make sure they stood apart from the competition in order to be successful. There are effectively only two ways of doing this: either by being cheaper than the rest or by being better than the rest. It is not really possible to be both at the same time.

They decided to be “better” than the rest.

Numerous best in class awards and certificates attest to the fact that Miele has continued to renew its commitment to being “Immer Besser” throughout the past 115 years. However, the millions of satisfied customers around the world are perhaps the most important endorsement.

At the heart of this success lies a continuity of values and goals which are typically only found in companies which have been family-run for generations, rather than in businesses which are guided by the often short-term interests of the stock market.

It is in this sense that Miele has embodied first-class product quality and German engineering since 1899. Miele also stands in equal measure for respect, fairness and mutual esteem towards sales partners, customers, suppliers, employees and neighbours. Buying a Miele is an environmentally friendly decision. We ensure this by using methods of production that save resources as well by producing products which set new standards in terms of their consumption of electricity, water and detergent – and save you money at the same time.\*

As directors and co-proprietors of the fourth generation of our business we promise you that this will not change.

*Markus Miele*     *Reinhard Zinkann*

Dr. Markus Miele

Dr. Reinhard Zinkann



# IMMER BESSER

## Our brand promise



### There are many good reasons for choosing Miele.

Here are just six of them.

Since the company was founded in 1899, Miele has remained true to its 'Immer Besser' brand promise. This means that we will do all that we can to be 'forever better' than our competitors and 'forever better' than we already are. For our customers this means the peace of mind of knowing that choosing Miele is a good decision – and probably the decision of a lifetime.



### The Miele brand

In many countries, Miele is the most desired brand in its field. In its German home market, Miele was even voted, best brand ever' in 2013 across all product branches. And the ownership of products from such a brand reveals much about its users: Miele customers have high expectations for the performance, convenience, design and the environmental friendliness of their domestic appliances. People who buy Miele are quality conscious and have style.



### Miele quality

For more than 100 years it has been a proven adage that you can trust Miele and rely on our appliances. We are the only manufacturer in our branch of industry to test products such as our washing machines, tumble dryers, dishwashers and ovens to the equivalent of 20 years of use. Once a Miele, always a Miele: Miele customers around the world remain loyal to Miele and recommend Miele to others. Looking to the future, we promise not to entertain any compromises when it comes to quality and durability.



### Miele technology

Miele stands for excellent results combined with the lowest possible energy consumption. This goes for the hygienic and gentle care of your laundry, your flooring and your crockery as well as when conjuring up exquisite culinary delights. The key to this is a wealth of innovative features available only from Miele. This is borne out by numerous first places in leading product tests conducted around the world.



### Miele convenience

Whether conventional rotary switch, discreet sensor controls or a high-resolution touch display like the one on your smartphone: operating a Miele is both easy and fun. Add to this a multitude of convenient and reliable automatic programmes and a great love of detail - success is guaranteed - on board both laundry and kitchen appliances. Make life easier for yourself with Miele.



### Miele design

Miele believes in clean lines and timeless elegance. Nowhere else will you find such a comparable range of built-in kitchen appliances, with consistency in Design lines and colour options, to suit the most diverse of interior designs and kitchen furniture fronts. Great care is taken to coordinate appliance design across the range. Whatever the style of your kitchen: Miele is the perfect match.



### Miele service

Miele customers enjoy preferential treatment: thanks to our fast and efficient after-sales service operation which has been voted best in its branch of industry many times over. Even if you need personalised instructions on appliance use or professional cleaning of your machines, Miele will gladly make a home visit. We will always be there for you. That's a promise!



# Running a tradition of quality

Miele has been a family-owned and family-run company since its inception in 1899. Managed today by the fourth generation, the company has been a pioneer in the field of premium home appliances ever since a butter churn inspired the design of its first ever washing machine in 1901. The butter churn has become Miele's icon, the epitome of the company's ongoing effort to make home living better.

Today, our research and development teams continue to pioneer the way in technological advancements to develop firsts in durability and design.

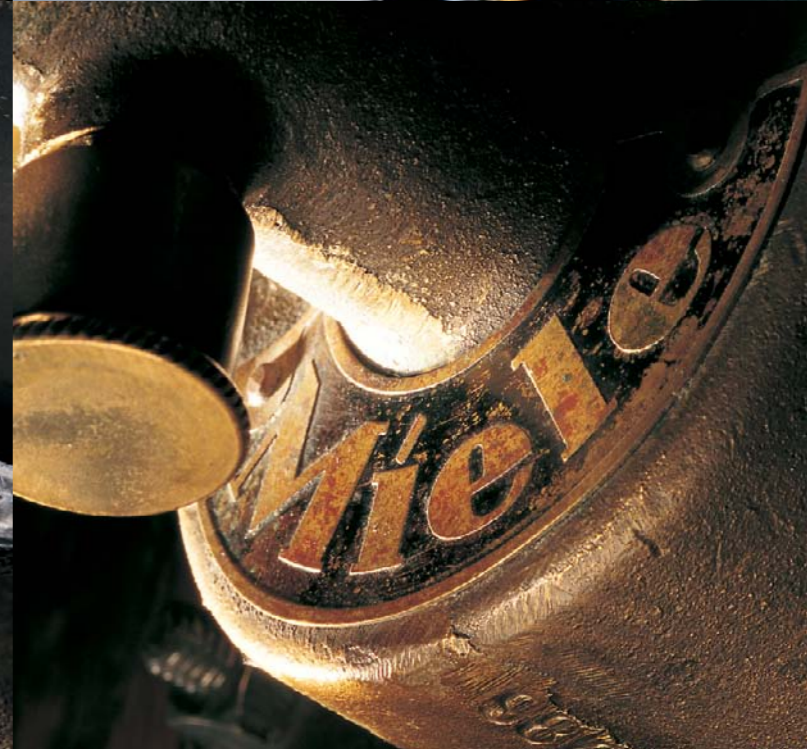
Our testing procedures are stringent, ensuring every individual part is inspected. Nothing but the highest quality appliance reaches the homes of our customers.

Miele's dedication to quality has won the hearts of consumers the world over. We have grown over the years, and today Miele has a workforce of 16,000 employees around the world.

Miele will continue to win the trust of consumers, seeking ways to improve your life. It will always be Forever Better.



Selected for more than ten years, one of Europe's top 5 most trusted brands







BURJ KHALIFA, Dubai, UAE



YIN TAI CENTER, Beijing, China



TRUMP INTERNATIONAL, Chicago, USA

## References

### Luxury brand

Keeping in mind our founders credo of Immer Besser meaning 'Forever better', Miele always strives to combine unique designs with the highest quality in all our appliances. Such is our global reputation, we are continually selected by luxury developers to complement their top class residences around the world with Miele appliances.

Together with a significant rise in the value of any development comes our excellent service, before and after the completion of the project. A partnership with Miele gives true peace of mind thanks to more than a century of understanding the very nature of serving our customers.

Our experienced team is there for you from the very first step until the handover of the key and beyond. Being constantly awarded for outstanding product design and service performance, Miele is the first choice for the most prestigious developments.





# Content

Introduction to Miele Cooling	12
MasterCool	22
Wine Conditioning Units	50
Refrigeration	66
Installation Drawings	90



# Optimum cooling, Ultimate freshness



Miele appliances ensure that all types of food are kept fresh, frozen or stored under ideal conditions for a healthy and indulgent lifestyle. Create the perfect cool environment for your food and drinks with our wide range of built-in and freestanding appliances.



## Refrigerators

Miele refrigerators are designed to keep your groceries fresh in an efficient and well organised way. Choose the ultimate cooling system from a wide range of appliances including integrated and freestanding appliances.



## Fridge-freezers

These appliances offer plenty of storage space for fresh food and also for frozen food, each section with its own door. Intelligent PerfectFresh compartments guarantee that food is kept fresh. Miele fridge-freezer combinations provide convenient, gentle storage of fresh food as well as frozen food in one appliance.



## Freezers

Miele freezers are powerful, efficient and exemplary in terms of organisation and functionality. They can be set up as stand-alone appliances or combined with a matching Miele refrigerator. With both style and substance, the puristic and timeless design is coupled with excellent functions, for example freezing temperatures can be regulated to a low of  $-28^{\circ}\text{C}$ .



## Wine conditioning units

Miele wine coolers provide the optimum storage conditions for your wine collection. With individually controlled temperature zones for different types of wine, your reds, whites and champagnes are guaranteed professional accommodation. A conversational piece in any home, Miele wine cellars are designed for the wine connoisseur in you.

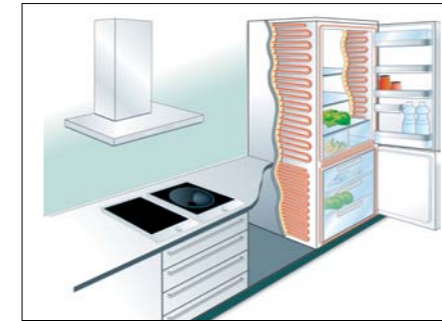


## MasterCool

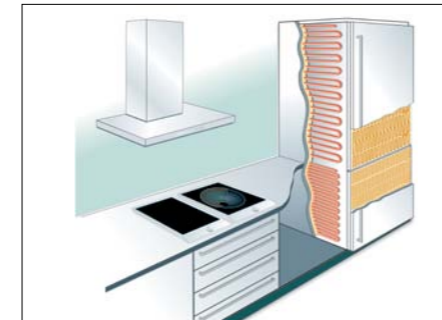
A unique range of large capacity built-in cooling appliances. Majestic in design and functionality, each and every detail has been honed to meet the specific requirements of your everyday food storage needs. Only the highest quality materials and cutting-edge cooling technology are used in these state-of-the-art MasterCool range.



# Protection against condensation



**First-ever Miele Humidity Range – Specifically developed for hot, humid climates**  
During periods of high humidity, the relative humidity in Singapore and its neighbouring countries estimates up to a monthly averages of 84%. Under these conditions, condensation may appear on exterior surfaces of cooling appliances. Fridge-freezers of the Humidity Range in combination with Humidity Kits currently represent the most effective system\* against condensation on the market. Miele is proud to be the first company to introduce the humidity solution for cooling appliances.



**Humidity Range – Features and Benefits**  
The new appliances from the Humidity Range are fitted ex works with front-frame and side-panel heaters. These prevent condensation on the surfaces, which is bound to occur at high temperatures and high levels of relative humidity of up to 85 – 90 %. The results: The unit itself is kept dry\* as well as protected from adjacent cabinetry.

- No condensation on fridge-freezer's side walls and front frames\*
- Minimal care and cleaning
- Protects kitchen furniture

**Model of Humidity Range:**  
Integrated fridge-freezer KFNS 37232 iD and KFNS 37432 iD

**Humidity Kits – Retrofittable protection against moisture**  
Humidity kits are the perfect complement to the models of the Humidity range: These kits are fitted to the fridge-freezer doors and prevent the formation of condensation\* on their surfaces. Humidity kits are attached to the appliances using special adhesive foil and ensure that the outer door panel is gently heated. In doing so, humidity kits are able to prevent condensation\* on door surfaces even at levels of relative humidity of 85 – 90 %. Humidity kits for the doors can simply be retrofitted at any time by Miele professional technicians. If the appliances and humidity kits are ordered at the same time, the kit will be installed prior to delivery complimentary.

\* **N.B.** At a relative humidity of above 90 %, slight condensation on appliances may still occur. The same applies if rooms are not properly ventilated or air-conditioned. In general, it is advisable to install the appliances with sufficient ventilation in a dry and/or air-conditioned room. Please ensure that doors are always closed properly.

For more information, please see our installation recommendations in the last pages of this brochure.





# User interfaces from Miele

## Ease of use

Miele refrigeration utilises the latest technology in a range of control types to ensure that not only is the internal environment created as efficiently as possible, but that it is also maintained to ensure that food is stored in the best possible conditions. User interfaces from Miele are extremely user-friendly. Every refrigeration appliance features a modern user interface which combines functions and design perfectly.



### Miele touch controls

Miele touch controls for freestanding appliances are design oriented. All key features look similar, which achieves perfect design harmony with other Miele built-in appliances. Main functions can be quickly and directly accessed via the touch controls while other functions are selected via the display.



### TouchControl

TouchControl panels on freestanding appliances offer a totally smooth operating interface with sensor controls and a precise digital temperature display. A light touch of the finger is sufficient to select a function.



### PicTronic

PicTronic controls also have convenient light-touch switches. The temperature is displayed in a black screen.



### ComfortControl

ComfortControl allows the convenient setting of temperature, automatic SuperCool or buzzer via light-touch switches. The temperature is indicated by LEDs.



## Efficiency and sustainability

### Intelligent energy savings with Miele refrigerators and freezers

Achieving high ratings in energy efficiency, Miele refrigeration products demonstrate that high performance and energy-saving can be achieved simultaneously. Miele constantly invests in new technologies such as the optimisation of the refrigeration circuit and insulation. As a result, the majority of Miele appliances exceed the A+ energy-efficiency classification.

#### **Miele appliances are extremely economical**

You can save 20% more energy when you use appliances with energy-efficiency rating of A+ as compared with an appliance with energy-rating of A. Appliances with energy-efficiency rating A++ consume at least 40% lesser energy. All Miele refrigeration appliances enjoy being top of their class and set standards in terms of environmental friendliness.

When appliances are in use 24 hours a day, 7 days a week over many years, the savings from being energy efficient goes straight to your pocket and it creates a smaller impact on the environment.

Miele refrigerators and freezers are always an excellent choice – for your home and the environment.





# Side-by-Side

## Miele's wide range of refrigerators and freezers

Miele refrigeration appliances are not just excellent in terms of their scope, quality and premium design, they are also known for being extremely flexible. For instance, you can combine two refrigerators next to each other, or have a classical combination of side-by-side refrigerator and freezer.

### Refrigeration Side-by-Side Combinations

#### 60 cm wide built-in fridge-freezers

The following can be set up next to one another:

Appliance on the left	Appliance on the right
178 cm niche	
KFNS 37232 iD	KFNS 37232 iD
KFNS 37432 iD	KFNS 37432 iD

#### 60 cm wide freestanding appliances

The following can be set up next to one another:

Appliance on the left	Appliance on the right
Freezer FN 14827 S ed/cs-1	Refrigerator K 14820 SD ed/cs
Fridge-freezer KFN 14827 SDE ed/cs-2	Refrigerator K 14820 SD ed/cs
Freezer & Wine Cellar KWTN 14826 SDE ed/cs-2	Refrigerator K 14820 SD ed/cs

#### 60 cm wide built-under wine conditioning units

The following can be set up next to one another\*:

Appliance on the left	Appliance on the right
KWT 6322 UG	KWT 6322 UG
KWT 6312 UGS	KWT 6312 UGS
KWT 6322 UG	KWT 6312 UGS
KWT 6312 UGS	KWT 6322 UG

All MasterCool fridges, freezers and wine coolers can be installed next to each other.\*







## MasterCool

The unique range of large capacity integrated cooling appliances

MasterCool . Wine Conditioning Units . Refrigeration





# Luxury refrigeration appliances

## Unique state of the art cooling system for your home

With the development of the large capacity MasterCool appliances, Miele sets elite standards. High-end design, impressive innovations and inimitable convenience features are combined in refrigeration appliances of the highest calibre. Enjoy the benefits of completely new convenience features that work around your lifestyle.



### Impressive aesthetic

Elegant in design, these MasterCool appliances offer the precision and devotion for the ultimate accommodation of your food. The inimitable appearance also reflects the extreme attention to detail.



### Unsurpassed quality

Perfection and precision of the highest quality. This begins when selecting the right materials. High-quality glass shelves, scratch-proof plastic and solid aluminium frames characterise the highest quality.



### Unique design

The unique interior features horizontal lines with emphasis on a puristic design. The smooth, white painted side panels inside the appliance are absolutely easy to clean and contribute to perfect, glare-free illumination.



### Maximum convenience

MasterCool appliances offer the best in terms of convenience each and every day, such as ideal food storage conditions, dispensing of ice and water, a BrilliantLight illumination and convenient handling. MasterCool appliances note every detail of your everyday needs.

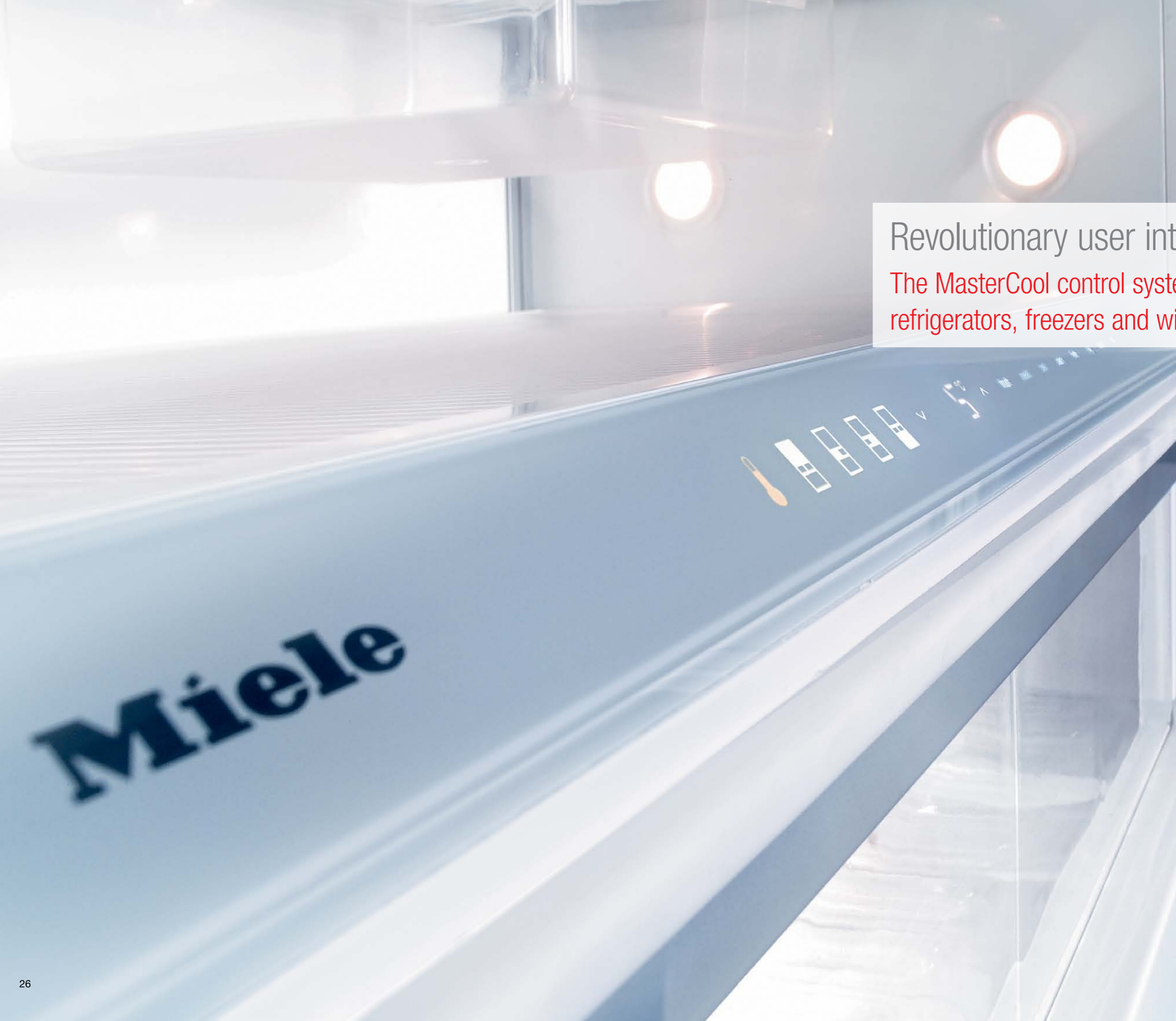


### Unique customisation for your needs and desires

From refrigerators to wine units in various widths and with the choice on which side to hinge the door, the selection of combination options are endless.

\* Features will vary depending on model





## Revolutionary user interface

The MasterCool control system of Miele refrigerators, freezers and wine conditioning units

One of the most revolutionary aspects of MasterCool is found in the user interface. With most cooling appliances, the user is expected to have an elevated knowledge of the adequate temperature and humidity levels needed to preserve and protect their diverse range of food items. Meat, cheese, produce, even seafood, all demand a unique environmental storage condition in order to be kept fresh and flavorful. Milk, for example, is stored perfectly at 5°C, while vegetables require a temperature just above freezing. When it comes to humidity control, meat, fish, dairy and deli items last longer in a drier environment than fruits and vegetables.

In reality, most people are unfamiliar with how to properly set these levels given the ambiguity of user controls. When Miele's MasterCool control system is activated, the user is greeted with a food-driven menu system that is easy to view, understand and adjust for each of its independent cooling zones. This intuitive functionality helps to create and maintain the optimum conditions required for specific food categories so freshness is locked in. Now that's some cool, useful technology.





Drop&Lock System



FullAccess storage drawers





Ice/Water dispenser



BrilliantLight illumination





# MasterFresh

## Pure enjoyment and natural taste

### Retaining optimum freshness

Fresh food is the basis for wholesome, healthy living. Fruit and vegetables should be consumed as crisp and fresh as when purchased.

Apart from the quality of the food at the point of purchase, the right storage conditions are also critical. The storage conditions determine how fresh, tasty and healthy food still is when preparing it for consumption. This is easily achieved with MasterFresh.

### Clever cooling – healthy eating

MasterFresh is the synonym for innovative food storage at Miele: a special cooling zone in Miele refrigerators which offer ideal storage conditions for a variety of food. Thanks to the MasterFresh zone, many types of fruits and vegetables, meat, fish and milk products remain fresh considerably longer than in conventional refrigerators. At a temperature of between 0°C and 3°C, as well as ideal humidity levels, even sensitive food can be stored in ideal conditions and retain its freshness. Important vitamins and minerals are retained longer. Freshness you can see, taste, experience and savour.

### Food stays fresh up to 3 weeks past its best before expiry date

Foods such as meat, fish and dairy products are ideally stored in a dry place. The low temperature between 0°C and 3°C ensures that your food remains fresh and retains its high quality for a long time. In other words, less frequent trips to the shop and less waste, saving you both time and money.

Tip: store food in its packaging or covered, allowing moisture to remain inside the food and preventing the transfer of flavours and odours.

Use all your senses to ensure that the food is of high quality – independently from the best before expiry date.

Food (examples)	Freshness extended past the best before expiry date.
Butter, yeast, sliced meat	Up to 1 week
Cream, butter milk	Up to 2 weeks
Yoghurt, soft cheese	Up to 3 weeks

### Food remains fresh up to 4 months longer than in a conventional refrigerator

Fruits and vegetables require high humidity storage conditions. Stored at low temperatures and high humidity levels, your food remains fresh for longer.

Filling the drawer with fresh fruits and vegetables creates humidity thanks to a special Miele design. This results in, for example, apples staying fresh for up to 4 months longer than when stored in a conventional refrigerator.

Tip: place fruits and vegetables in their packaging in the drawer to allow humidity to develop. To ensure that a sufficient humidity level develops, the compartment should always be well stocked.

Food (examples)	Freshness retained longer than in refrigerator
Lettuce, mushrooms, onions, strawberries, blueberries, nectarines	Up to 1 week
Asparagus, kale, Mirabelle plums, plums, rhubarb, peaches, morello cherries	Up to 2 weeks
Pears, apples, carrots	Up to 4 months





# Miele MasterCool highlights\*

For perfect results and more convenience

## MasterFresh

Apart from the quality of the food at the point of purchase, the right storage conditions are also critical. The storage conditions determine how fresh, tasty and healthy food still is when preparing it for consumption. This is easily achieved with MasterFresh: perfect storage conditions for fresh food to retain vitamins, nutrients and flavours!



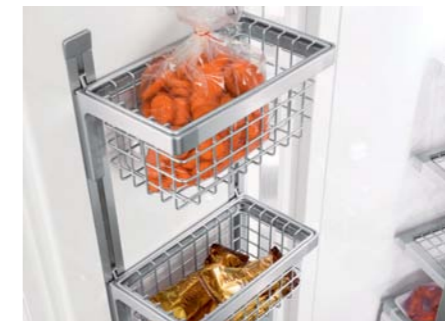
## BrilliantLight

Soft light: halogen spotlights illuminate all areas inside the refrigerator in style.



## DynaCool

Uniform distribution of temperature: a ventilator ensures excellent circulation and distribution of cold air.



## NoFrost

Convenient: manual defrosting no longer necessary. Cooled air is circulated and prevents the formation of ice on food.



## Drop and Lock

Easy handling and safe: the metal door compartments are height adjustable and easily locked in place.



## Ice & Water dispenser

Pure luxury: at the touch of a button you are treated to refreshing ice and water from the through-the-door Ice & Water dispenser.

\* Features depend on model



# Features and benefits\*

## Miele refrigerators, freezers and wine conditioning units



**Exclusive to Miele TouchControl**  
Precise temperature control: a fascia panel with a smooth interface enables users to set the exact required temperature.



**SuperCool/SuperFrost**  
Fast cooling and freezing: ideal for large quantities of food, extra cold drinks or gentle freezing.



**Acoustic warning signal**  
Automatic: a warning signal sounds when the door is left open, when the temperature rises beyond the critical level or after a power failure.



**IceMaker**  
Produced quickly and stored: Miele's IceMaker has separate controls and can produce up to 150 ice cubes a day.



**CleanSteel**  
No fingerprints on stainless steel: the surface is protected and no special cleaning agents are required.



**Temperature zones**  
Separate temperature controls: up to three different types of wine requiring different temperatures can be stored at the same time.



**Tinted glass front**  
Perfect conditions: the tinted glass door protects wine from exposure to ultra-violet light and ensures that a perfect micro-climate is maintained.



**FullAccess storage drawers**  
Fast and effortless: MasterCool drawers can be pulled out to their full depth and conveniently loaded.



**MaxLoad hinge**  
Simple and convenient: the extraordinarily strong door hinges ensure smooth opening of door.



\* Features depend on model



# The perfect cooling solutions for you

## Miele product overview

MasterCool Refrigeration, 213 cm high

Refrigerators

Freezers

Fridge-freezers

Wine conditioning units



K 1901 Vi



**K 1901 Vi**  
90 cm wide fridge  
DynaCool, MasterFresh, TouchControl, BrilliantLight, Drop&Lock, EasyInstall, A+, hinge right, convertible



**K 1801 Vi**  
75 cm wide fridge  
DynaCool, MasterFresh, TouchControl, BrilliantLight, Drop&Lock, EasyInstall, A+, hinge right, convertible



F 1411 Vi



**F 1411 Vi**  
45 cm wide freezer  
TouchControl, BrilliantLight, NoFrost, IceMaker, Drop&Lock, EasyInstall, A+, hinge left



**F 1472 Vi**  
45 cm wide freezer  
TouchControl, BrilliantLight, NoFrost, IceMaker, Drop&Lock, EasyInstall, A+, hinge left



F 1911 Vi



**F 1911 Vi**  
90 cm wide freezer  
TouchControl, BrilliantLight, NoFrost, IceMaker, Drop&Lock, EasyInstall, A+, hinge left, convertible



**F 1811 Vi**  
75 cm wide freezer  
TouchControl, BrilliantLight, NoFrost, IceMaker, Drop&Lock, EasyInstall, A+, hinge left, convertible



KF 1911 Vi



**KF 1801 Vi**  
75 cm wide fridge-freezer  
DynaCool, MasterFresh, TouchControl, BrilliantLight, NoFrost, IceMaker, Drop&Lock, EasyInstall, A+, hinge right, convertible



**KF 1811 Vi**  
75 cm wide fridge-freezer  
DynaCool, MasterFresh, TouchControl, BrilliantLight, NoFrost, IceMaker, Drop&Lock, EasyInstall, A+, hinge left, convertible



**KF 1901 Vi**  
90 cm wide fridge-freezer  
DynaCool, MasterFresh, TouchControl, BrilliantLight, Drop&Lock, EasyInstall, hinge right, convertible



**KF 1911 Vi**  
90 cm wide fridge-freezer  
DynaCool, MasterFresh, TouchControl, BrilliantLight, Drop&Lock, EasyInstall, hinge left, convertible



KWT 1612 Vi



**KWT 1602 Vi**  
60 cm wide wine conditioning unit  
DynaCool, TouchControl, BrilliantLight, EasyInstall, hinge right



**KWT 1612 Vi**  
60 cm wide wine conditioning unit  
TouchControl, BrilliantLight, NoFrost, IceMaker, Drop&Lock, EasyInstall, hinge left



# MasterCool fridges



Model number	K 1901 Vi	K 1801 Vi
<b>Appliance category</b>		
Refrigerator	●	●
<b>Type of appliance</b>		
Integrated/Built-under	●/-	●/-
Door hinging/convertible hinging	Right/to special order	Right/to special order
<b>Design</b>		
Lighting in refrigerator/refrigeration section	●	●
Type of lighting	BrilliantLight	BrilliantLight
PerfectFresh Pro LED lighting	-	-
<b>Convenience features</b>		
MasterFresh/PerfectFresh/SelfClose	●/-/-	●/-/-
PerfectFresh Pro with Info system	-	-
ComfortClean/Dynamic cooling	-/●	-/●
SoftClose door closure/Drop and Lock	-/●	-/●
<b>Controls</b>		
Electronic temperature display and control	TouchControl	TouchControl
Independent switch off for refrigeration section	-	-
SuperCool	●	●
Number of temperature zones	2	2
<b>Refrigerator/refrigeration section</b>		
Height adjustable toughened glass shelves	●	●
Number of shelves	4	4
Chrome metal bottle rack	-	-
Number of removable fruit & vegetable containers	-	-
Butter and cheese compartment	-	-
VarioBord for jars/condiments (can be used at the table)	-	-
Full-width door shelves/half-width door shelves	4/-	4/-
Number of bottle shelves in the door	-	-
<b>Efficiency and sustainability</b>		
Energy efficiency class	A+	A+
Energy consumption per year in kWh/in 24 h in kWh	194/0.531	181/0.495
<b>Safety</b>		
Safety lock	-	-
Acoustic door alarm/Acoustic temperature alarm	●/●	●/●
Optical door alarm/Optical temperature alarm	●/●	●/●
<b>Technical data</b>		
Niche dimensions in mm (H x W)	2134 x 915	2134 x 762
Max. weight of door: refrigerator section/freezer section in kg	37/-	50/-
Climate class	SN-T	SN-T
Usable capacity in l	559	454
Refrigeration section in l/MasterFresh zone in l	402/157	327/127
4-star freezer section in l	0	0
Storage time in event of a fault in h/Freezer capacity in 24 h in kg	-/-	-/-
Sound power in dB(A) re1pW	40	40
Current consumption in milliamps (mA)	500	400
<b>Electrical connection</b>		
Voltage (50 Hz) (V)	230	230
Fuse rating (A)	13	13



# MasterCool freezers



Model number	F 1911 Vi	F 1811 Vi
<b>Appliance category</b>		
Freezer	●	●
<b>Type of appliance</b>		
Integrated/Built-under	●/-	●/-
Door hinging/convertible hinging	Left/to special order	Left/to special order
<b>Design</b>		
Lighting in freezer/freezer section	●	●
Type of lighting	BrilliantLight	BrilliantLight
<b>Convenience features</b>		
IceMaker/Plumbed in	●/●	●/●
Frost free/VarioRoom	●/-	●/-
SoftClose door closure/Drop and Lock	-/●	-/●
<b>Controls</b>		
Electronic temperature display and control	TouchControl	TouchControl
Super freeze	●	●
<b>Freezer/freezer section</b>		
In door ice and water dispenser	-	-
Number of removable freezer drawers/freezer baskets	2	2
Number of removable metal baskets in the door	4	4
Number of removable metal freezer baskets	-	-
Height adjustable toughened glass shelves	●	●
<b>Efficiency and sustainability</b>		
Energy efficiency class	A+	A+
Energy consumption per year in kWh/in 24 h in kWh	484/1.326	414/1.134
<b>Safety</b>		
Appliance lock/Power cut indication for the freezer section	-/-	-/-
Acoustic door alarm/Acoustic temperature alarm	●/●	●/●
Optical door alarm/Optical temperature alarm	●/●	●/●
<b>Technical data</b>		
Niche dimensions in mm (H x W)	2134 x 915	2134 x 762
Type of hinging	Fixed	Fixed
Max. weight of door: refrigerator section/freezer section in kg	-/36	-/48
Climate class	SN-T	SN-T
4-star freezer section in l	502	403
Sound power in dB(A) re1pW	42	42
Storage time in event of a fault in h/Freezer capacity in 24 h in kg	22/22.5	20/18.5
Current consumption in milliamps (mA)	800	800
<b>Electrical connection</b>		
Voltage (50 Hz) (V)	230	230
Fuse rating (A)	13	13





# MasterCool freezers



Model number	F 1472 Vi	F 1411 Vi
<b>Appliance category</b>		
Freezer	●	●
<b>Type of appliance</b>		
Integrated/Built-under	●/-	●/-
Door hinging/convertible hinging	Left/-	Left/-
<b>Design</b>		
Lighting in freezer/freezer section	●	●
Type of lighting	BrilliantLight	BrilliantLight
<b>Convenience features</b>		
IceMaker/Plumbed in	●/●	●/●
Frost free/VarioRoom	●/-	●/-
SoftClose door closure/Drop and Lock	-/●	-/●
<b>Controls</b>		
Electronic temperature display and control	TouchControl	TouchControl
Super freeze	●	●
<b>Freezer/freezer section</b>		
In door ice and water dispenser	●	-
Number of removable freezer drawers/freezer baskets	2	2
Number of removable metal baskets in the door	1	4
Number of removable metal freezer baskets	-	-
Height adjustable toughened glass shelves	●	●
<b>Efficiency and sustainability</b>		
Energy efficiency class	A+	A+
Energy consumption per year in kWh/in 24 h in kWh	306/0.837	305/0.835
<b>Safety</b>		
Appliance lock/Power cut indication for the freezer section	-/-	-/-
Acoustic door alarm/Acoustic temperature alarm	●/●	●/●
Optical door alarm/Optical temperature alarm	●/●	●/●
<b>Technical data</b>		
Niche dimensions in mm (H x W)	2134 x 457	2134 x 457
Type of hinging	Fixed	Solid-door
Max. weight of door: refrigerator section/freezer section in kg	-/65	-/56
Climate class	SN-T	SN-T
4-star freezer section in l	190	205
Sound power in dB(A) re1pW	41	41
Storage time in event of a fault in h/Freezer capacity in 24 h in kg	13/14.0	13/14.0
Current consumption in milliamps (mA)	800	900
<b>Electrical connection</b>		
Voltage (50 Hz) (V)	230	230
Fuse rating (A)	13	13



# MasterCool fridge-freezers



Model number	KF 1901 Vi (Right hinged)/ KF 1911 Vi (Left hinged)	KF 1801 Vi (Right hinged)/ KF 1811 Vi (Left hinged)
<b>Appliance category</b>		
Fridge-freezer	●	●
<b>Type of appliance</b>		
Integrated/Built-under	●/-	●/-
Door hinging/convertible hinging	Right or Left	Right or Left
<b>Design</b>		
Lighting in refrigerator/refrigeration section	●	●
Type of lighting	BrilliantLight	BrilliantLight
PerfectFresh Pro LED lighting	-	-
<b>Convenience features</b>		
MasterFresh/PerfectFresh/SelfClose	●/-/-	●/-/-
PerfectFresh Pro with Info system	-	-
IceMaker/Plumbed in/MyIce water container	●/●/-	●/●/-
ComfortClean/Dynamic cooling/Frost free/VarioRoom	-/●/●/-	-/●/●/-
SoftClose door closure/Drop and Lock	-/●	-/●
<b>Controls</b>		
Electronic temperature display and control	TouchControl	TouchControl
Independent switch off for refrigeration section	-	-
Independent temperature control of refrigeration and freezer sections	●	●
Super cool/Super freeze	●/●	●/●
Number of temperature zones	3	3
<b>Refrigerator/refrigeration zone</b>		
Height adjustable toughened glass shelves	●	●
Number of shelves	3	3
Chrome metal bottle rack	-	-
Number of removable fruit & vegetable containers	-	-
Butter and cheese compartment	-	-
VarioBord for jars/condiments (can be used at the table)	-	-
Full-width door shelves/half-width door shelves	3/-	3/-
Number of bottle shelves in the door	1	1
<b>Freezer/freezer zone</b>		
Number of removable freezer drawers/freezer baskets	2 large, 1 small	1 large, 1 small
Height adjustable toughened glass shelves	●	●
<b>Efficiency and sustainability</b>		
Energy efficiency class	A+	A+
Energy consumption per year in kWh/in 24 h in kWh	405/1.110	356/0.975
<b>Safety</b>		
Appliance lock/Power cut indication for the freezer section	-/-	-/-
Acoustic door alarm/Acoustic temperature alarm	●/●	●/●
Optical door alarm/Optical temperature alarm	●/●	●/●
<b>Technical data</b>		
Niche dimensions in mm (H x W)	2134 x 915	2134 x 762
Max. weight of door: refrigeration section/freezer section in kg	38/14	47/10
Climate class	SN-T	SN-T
Usable capacity in l	483	390
Refrigeration section in l/MasterFresh zone in l/Freezer section in l	313/71/99	253/57/80
Sound power in dB(A) re1pW	42	42
Storage time in event of a fault in h/Freezer capacity in 24 h in kg	17/20.0	15/15.0
Current consumption in milliamps (mA)	1000	1000
<b>Electrical connection</b>		
Voltage (50 Hz) (V)	230	230
Fuse rating (A)	13	13





# MasterCool wine conditioning units











Model number	KWT 1602 Vi	KWT 1612 Vi
<b>Appliance category</b>		
Wine coolers	●	●
<b>Type of appliance</b>		
Integrated/Built-under	●/-	●/-
Door hinging/convertible hinging	Right/●	Left/●
<b>Design</b>		
Colour and fronts	Tinted glass door	Tinted glass door
Lighting	●	●
Type of lighting	BrilliantLight	BrilliantLight
<b>Convenience features</b>		
Active AirClean filter with replacement reminder	●	●
Dynamic cooling/SoftClose door closure	●/-	●/-
Wooden racks	●	●
Telescopic wooden racks/Flexible wooden racks with FlexiFrame	●/-	●/-
SommelierSet	-	-
Bottle presenter	-	-
<b>Controls</b>		
Electronic temperature display and control	TouchControl	TouchControl
Number of wine conditioning zones	3	3
<b>Efficiency and sustainability</b>		
Energy efficiency class	C	C
Energy consumption per year in kWh/in 24 h in kWh	295/0.807	295/0.807
<b>Safety</b>		
Safety lock	-	-
Acoustic door alarm/Acoustic temperature alarm	●/●	●/●
Optical door alarm/Optical temperature alarm	●/●	●/●
<b>Technical data</b>		
Dimensions in mm (H x W x D)	2.127 x 597 x 610	2.127 x 597 x 610
Niche dimensions in mm (H x W)	2134 x 610	2.134 x 610
Climate class	SN-T	SN-T
Wine conditioning zones in l	365	365
Sound power in dB(A) re1pW	42	42
Current consumption in milliamperes (mA)	700	700
<b>Electrical connection</b>		
Voltage (50 Hz) (V)	230	230
Fuse rating (A)	13	13

# The MasterCool Series

MasterCool refrigeration and wine conditioning appliances are based on a modular system providing maximum flexibility when designing your kitchen environment.

Due to installation requirements, an on-site audit or floor plan review depending on the status of your home is a pre-requisite to the sales of MasterCool appliances.

Miele MasterCool appliances are specially made to order, with an expected lead time of 5 months from the day you place your order. Contact Miele or ask in-store for more details.

	Appliance Width				
	44.5 cm	59.7 cm	75 cm	90.2 cm	
Refrigerators			 K 1801 Vi	 K 1901 Vi	Right hinged, convertible
Freezer with Ice / Water Dispenser	 F 1411 Vi / F 1472 Vi		 F 1811 Vi	 F 1911 Vi	Left hinged, convertible except F 1411 Vi and F 1472 Vi
Fridge-Freezer Combinations			 KF 1801 Vi / KF 1811 Vi	 KF 1901 Vi / KF 1911 Vi	Right and left hinged
Wine conditioning units (102 bottles)		 KWT 1602 Vi / KWT 1612 Vi			Right and left hinged

**N.B.** During periods of high humidity, some condensation may appear on the outside surfaces of the cooling appliances. The condensation will disappear when the humidity level decreases. Please ensure that the fridge / freezer doors are closing properly. The manufacturer recommends installation in a cool, well ventilated or air-conditioned environment to reduce humidity and condensation.

A side-by-side kit, which includes a heating mat, must be ordered as an additional accessory and installed onto the right side of the appliance when combining 2 appliances side-by-side. Re-hinging requires change of the upper plinth vent grille which has to be ordered as an accessory.





# Accessories for MasterCool appliances



## Stainless-steel front KFP 1140 ss front panel

For a high-quality external design on MasterCool freezers

- For 45 cm wide built-in freezers without a dispenser in the door



## Stainless-steel front KFP 1240 ss front panel

For a high-quality external design on MasterCool freezers

- For 45 cm wide built-in freezers with a dispenser in the door



## Stainless-steel front KFP 1060 ss front panel

For a high-quality finish on MasterCool wine coolers

- Suitable for all 60 cm wide built-in wine conditioning units



## Stainless-steel front KFP 1481 ss front panel

For a high-quality finish on MasterCool fridge-freezer combinations

- For the top door on 75 cm wide built-in fridge-freezer combinations



## Lower plinth vent grille KG 1140 ss

In stainless-steel look for a high-end panelwork appeal of MasterCool plinths

- For 45 cm wide MasterCool freezers



## Lower plinth vent grille KG 1380 ss

In stainless-steel look for a perfect panelwork appeal of MasterCool plinths

- For 75 cm wide MasterCool refrigerators

## Stainless-steel front KFP 1080 ss front panel

For a high-quality finish on MasterCool refrigerators or freezers

- For 75 cm wide built-in refrigerators or freezers

## Stainless-steel front KFP 1483 ss front panel

For an elegant finish on MasterCool fridge-freezer combinations

- For the bottom door on 75 cm wide built-in fridge-freezer combinations

## Lower plinth vent grille KG 1180 ss

In stainless-steel look for appealing panelwork of MasterCool plinths

- For 75 cm wide MasterCool freezers

## Lower plinth vent grille KG 1390 ss

In stainless-steel look for a perfect panelwork appeal of MasterCool plinths

- For 90 cm wide MasterCool refrigerators

## Stainless-steel front KFP 1090 ss front panel

For a perfect external design on MasterCool refrigerators or freezers

- For 90 cm wide built-in refrigerators or freezers

## Stainless-steel front KFP 1491 ss front panel

For a high-quality external design of MasterCool fridge-freezer combinations

- For the top door on 90 cm wide built-in fridge-freezer combinations

## Lower plinth vent grille KG 1190 ss

In stainless-steel look for a high-end panelwork appeal of MasterCool plinths

- For 90 cm wide MasterCool freezers

## Lower plinth vent grille KG 1560 ss

In stainless-steel look for a perfect panelwork appeal of MasterCool plinths

- For 60 cm wide MasterCool wine conditioning units

## Stainless-steel front KFP 1493 ss front panel

For an elegant external design of MasterCool fridge-freezer combinations

- For the bottom door on 90 cm wide built-in fridge-freezer combinations

## Lower plinth vent grille KG 1480 ss

In stainless-steel look for a high-end panelwork appeal of MasterCool plinths

- For 75 cm wide built-in fridge-freezer combinations

## Lower plinth vent grille KG 1490 ss

In stainless-steel look for a perfect panelwork appeal of MasterCool plinths

- For 90 cm wide built-in fridge-freezer combinations



# Accessories for MasterCool appliances



**Water filter with active charcoal  
KB 1000**

- For crystal clear and flavour-neutral ice cubes
- Filters taste and odour producing substances from tap water
  - For all plumbed-in MasterCool appliances with ice-cube maker



**Filter  
KWF 1000**

- For crystal clear ice cubes
- Holds back particulate contamination
  - For all plumbed-in MasterCool appliances with ice-cube maker



**Side-by-side kit  
KSK 1002**

- For a high-quality side-by-side installation of MasterCool models



**Upper grille section  
KG 1082 w**

- For door rehinging to the left on 75 cm wide MasterCool refrigerators/freezers.



**Upper grille section  
KG 1083 w**

- For door rehinging to the right on 75 cm wide MasterCool refrigerators/freezers.



**Upper grille section  
KG 1092 w**

- For door rehinging to the left on 90 cm wide MasterCool refrigerators/freezers.



**Upper grille section  
KG 1093 w**

- For door rehinging to the right on 90 cm wide MasterCool refrigerators/freezers.







## Wine Conditioning Units

Miele freestanding and built-under wine conditioners for optimum storage conditions for your wine collection.

MasterCool . Wine Conditioning Units . Refrigeration





## A perfect home for fine wine



For thousands of years, wine has been deeply rooted in the history of mankind and the enjoyment of good wine is to this day a true revelation for connoisseurs. Miele wine conditioners meet all demands on storage, conditioning and innovative design.

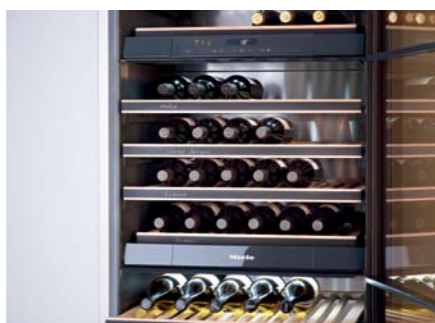




# Optimum storage for perfect pleasure and enjoyment

Anyone who appreciates good wine will know how important it is to store it in an optimum manner. Wine is alive. And as such reacts either positively or negatively to its environment. Certain conditions need to be met in order for a wine to either mature properly or keep without spoiling.

The maturing process and aroma of a fine wine is positively influenced by adequate light and low-vibration storage. The new wine conditioners offer ideal wine storage conditions to ensure unadulterated enjoyment of wine for as long as possible.



## Tinted glass front

UV rays can cause chemical reactions in wine. Miele glass doors with integrated UV filter protect your wine perfectly from exposure to ultra-violet light.

## Temperature zones

Up to three separate temperature zones permit the storage of different types of wine requiring different temperatures. The temperature in all zones can be adjusted individually with separate temperature controls.

## DynaCool

A fan ensures that cold air circulates which results in uniform temperature and humidity in the entire unit. Your wine is stored perfectly as humidity is maintained at the right level to ensure that corks do not dry out.

## Active AirClean filters

Fresh air intake guaranteed: the integrated active charcoal filter absorbs extraneous odours and protects your wine from transfer of odours.

## Low-vibration storage

To provide the right storage conditions for your wine, Miele wine units feature special compressors. This ensures quiet, low-vibration storage conditions allowing wine to mature correctly; as vibrations can disturb the sediment within the wine, and damage it.





# Enjoying wine – long before opening a bottle

For real wine connoisseurs, enjoyment of wine starts with the selection of wine and the correct storage in their own home. The new Miele KWT 6832 SGS offers space befitting your finest wines.

**Exclusive to Miele** **SommelierSet**  
Enjoying a perfectly conditioned wine at the ideal drinking temperature is pure pleasure. With the unique SommelierSet from Miele, wine bottles can be opened at the wine conditioner and enjoyed from perfectly chilled glasses. Even opened bottles can be stored under perfect conditions. Important accessories are readily at hand for decanting wine bottles and can be stored in the accessory box.



**Exclusive to Miele** **Decanting rack**  
With the aid of a hinged lever strip, the decanting rack can be slightly inclined. Older bottles of wine can be perfectly decanted as wine sediment can slowly settle on the bottom of sloping bottles and stays separate from the wine when poured.

**Exclusive to Miele** **Glass holder**  
Cool sparkling wine and white wine glasses inside your wine unit. Enjoy perfectly stored wine at the ideal drinking temperature.

**Exclusive to Miele** **ConvinoBox**  
Store opened bottles in an upright position in your wine unit. Individually adjustable dividers provide a secure hold for the bottles. Your wine remains perfectly conditioned for later consumption.

**Exclusive to Miele** **Accessory box**  
Store all important accessories in a wooden accessory box and always have them readily at hand: sommelier knife, corkscrew and chalk. Everything stored in a perfectly suitable Convino box.





# Wine conditioning unit highlights\*



For real wine connoisseurs, enjoyment of wine starts with the selection of wine and the correct storage in their own home. These factors influence how long wine can be stored without losing its excellent taste. The correct storage conditions of wine have a direct effect on its shelf life. A wine conditioning unit from Miele offers ideal conditions for the storage of finest wine.

Depending on the variety, precise and individual selection of several temperature zones in your conditioning unit is possible. This allows you to store different types of wines under ideal conditions. Particularly when storing wine over long period of time, storage facilities must meet specific demands in terms of ambient temperature.

Wine conditioning and storage units from Miele maintain a constant temperature which is important for wine to mature properly and keep without spoiling. As built-in versions, they integrate perfectly into your kitchen design and as flexible freestanding appliances, they are real eye-catchers with a professional Sommelier Set.



**Exclusive to Miele** **SommelierSet\***  
Designed for the ultimate enjoyment: cooling glasses, preparing wine for decanting and conditioning open bottles to perfection.



**Selector**  
Stylish presentation: low-key lighting makes bottles appear slightly raised.



**FlexiFrame with NoteBoard**  
Simple to adjust: you can move individual bottle slats and hence adjust them to different bottle shapes.



**Temperature zones**  
Individual controls: store up to 3 different types of wine at the same time - conditioned to perfection.



**Push2open\***  
Seamless integration: these appliances are free from handles and can be opened with a gentle push to the front.

\* Features will vary depending on model



# Details that make a difference\*

Wine provides more than just pleasure – it can make moments special, it is a prestige object and arouses the desire in wine connoisseurs to collect wine. It is therefore even more important to give them pride of place. Miele wine units can meet all demands of wine lovers: elegant design combined with high-end features and intuitive operation.



## SoftClose

Closes quietly and reliably: gentle self-closing doors prevent items from falling out.

## Exclusive to Miele TouchControl

Precise temperature control: a fascia panel with a smooth interface enables users to set the exact temperature.

## Integrated side handle strip

High-end tinted glass door: an integrated handle strip for direct access to the contents of your wine unit.

## LED lighting

More than just lighting: the flush lighting strip presents your elegant appliance in the perfect light.





# The perfect cooling solutions for you

## Miele product overview

Wine conditioning units  
Freestanding



KWT 6832 SGS



### KWT 6831 SG

60 cm wide  
FlexiFrame, TouchControl, DynaCool,  
SoftClose, max. 178 bottles, Energy  
efficiency, right-hinged



### KWT 6832 SGS

60 cm wide  
FlexiFrame, TouchControl, DynaCool,  
SoftClose, SommelierSet, max. 178 bottles,  
Energy efficiency, right-hinged

Built-under



KWT 6322 UG



### KWT 6322 UG

60 cm wide  
2 temperature zones  
Push2open  
max. 34 bottles



### KWT 6321 UG

60 cm wide  
2 temperature zones  
max. 34 bottles



KWT 6312 UGS



### KWT 6312 UGS

60 cm wide  
1 temperature zone  
Push2open  
SommelierSet  
max. 46 bottles

# Wine conditioning range



Model number	KWT 6832 SGS	KWT 6831 SG
<b>Appliance category</b>		
Wine coolers	•	•
<b>Type of appliance</b>		
Freestanding	•	•
Integrated/Built-under	-/-	-/-
Door hinging/convertible hinging	Right/•	Right/•
<b>Design</b>		
Colour and fronts	Stainless steel/Tinted glass door	Stainless steel/Tinted glass door
Lighting	•	•
Type of lighting	LED (dimmable)	LED (dimmable)
<b>Convenience features</b>		
Active AirClean filter/with replacement reminder	•/•	•/•
Dynamic cooling/SoftClose door closure	•/•	•/•
Wooden racks	•	•
Telescopic wooden racks/Flexible wooden racks with FlexiFrame	•/•	•/•
SommelierSet	•	-
Bottle presenter	•	•
<b>Controls</b>		
Electronic temperature display and control	TouchControl	TouchControl
Number of wine conditioning zones	3	3
<b>Efficiency and sustainability</b>		
Energy efficiency class	B	B
Energy consumption per year in kWh/in 24 h in kWh	245/0.670	245/0.670
<b>Safety</b>		
Safety lock	-	-
Acoustic door alarm/Acoustic temperature alarm	•/•	•/•
Optical door alarm/Optical temperature alarm	•/•	•/•
<b>Technical data</b>		
Appliance dimensions in mm (H x W x D)	1920 x 700 x 745	1920 x 700 x 745
Niche dimensions in mm (H x W)	-	-
Climate class	SN-ST	SN-ST
Wine conditioning zones in l	505	505
Sound power in dB(A) re1pW	38	38
Current consumption in milliamps (mA)	1000	1000
<b>Electrical connection</b>		
Voltage (50 Hz) (V)	220 - 240	220 - 240
Fuse rating (A)	13	13





# Wine conditioning range



Model number	KWT 6321 UG	KWT 6312 UGS	KWT 6322 UG
<b>Appliance category</b>			
Wine coolers	●	●	●
<b>Type of appliance</b>			
Freestanding	-	-	-
Integrated/Built-under	-/●	-/●	-/●
Door hinging/convertible hinging	Right/●	Right/●	Right/●
<b>Design</b>			
Colour and fronts	Tinted glass door	Tinted glass door	Tinted glass door
Lighting	●	●	●
Type of lighting	LED (dimnable)	LED (dimnable)	LED (dimnable)
<b>Convenience features</b>			
Automatic Push2Open door action	-	●	●
Dynamic cooling/SoftClose door damper	●/-	●/●	●/●
Active AirClean filter and replacement reminder	●/-	●/●	●/●
Telescopic wooden racks/Flexible wooden racks with FlexiFrame	3/-	3/3	3/3
SommelierSet	-	●	-
Bottle presenter	-	-	-
<b>Controls</b>			
Electronic temperature display and control	ComfortControl	TouchControl	TouchControl
Number of wine conditioning zones	2	1	2
<b>Efficiency and sustainability</b>			
Energy efficiency class	B	A	A
Energy consumption per year in kWh/in 24 h in kWh	190/0.520	145/0.396	137/0.375
<b>Safety</b>			
Safety lock	-	-	-
Acoustic door alarm/Acoustic temperature alarm	●/●	●/●	●/●
Optical door alarm/Optical temperature alarm	-/-	●/●	●/●
<b>Technical data</b>			
Appliance dimensions in mm (H x W x D)	597 x 818 x 575	597 x 818 x 575	597 x 818 x 575
Niche dimensions in mm (H x W)	820 - 870 x 600	820 - 870 x 600	820 - 870 x 600
Climate class	SN-ST	SN-ST	SN-ST
Wine conditioning zones in l	95	112	95
Sound power in dB(A) re1pW	38	38	36
Current consumption in milliamps (mA)	800	800	800
<b>Electrical connection</b>			
Voltage (50 Hz) (V)	220 - 240	220 - 240	220 - 240
Fuse rating (A)	13	13	13

# Accessories for wine conditioning units



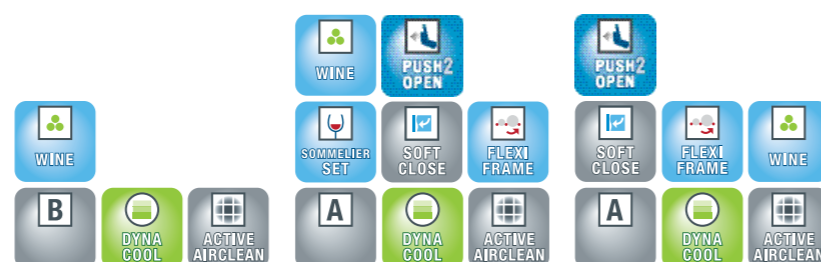
**Active AirClean filter KKF-KWT**

For an odour-free climate in your wine cooler  
 • For KWT 6321/22 UG and KWT 6312 UGS built-under wine coolers



**Active AirClean filter**

For an odour-free climate in your wine cooler  
 • For KWT 4154 UG-1 built-under wine units  
 • For KWT 6831/32 SG(S) freestanding wine units  
 • For KWTN 14826 SDE ed/cs-1 freestanding wine combination units







## Refrigeration

Miele refrigerators for keeping your groceries fresh in an efficient and well organised way.

MasterCool . Wine Conditioning Units . Refrigeration



# PerfectFresh

## Pure enjoyment and natural taste

### Retaining the freshness

Fresh food is the basis for wholesome, healthy living. Fruits and vegetables should be consumed as crisp and fresh as when purchased. But who has the time nowadays to buy ingredients fresh every day?

Apart from the quality of the food at the point of purchase, the right storage conditions are also important. The storage conditions determine how fresh, tasty and healthy food still is when preparing it for consumption. This is easily achieved with PerfectFresh.

### Dry compartment:

In the PerfectFresh dry compartment, meat, fish and almost all milk products are stored at ideal storage conditions: the temperature is maintained between 0°C and 3°C. When stored in the dry compartment, food can be consumed even after the best before date.

### Humidity controlled compartment:

The PerfectFresh humidity-controlled compartment has been designed specifically for storing fresh fruits and vegetables which require high humidity levels for perfect storage conditions. A storage temperature between 0°C and 3°C as well as a humidity level of up to 90%\* ensure that your food remains fresh considerably longer.



### Food stays fresh up to 3 weeks past its best before date

Food such as meat, fish and milk products are stored under ideal conditions in the dry compartment. The low temperature between 0°C and 3°C ensures that your food remains fresh and retains its high quality for a long time. This allows, for example, yoghurt to be consumed up to 3 weeks past its best before date. In other words, less frequent trips to the shop and less waste, saving time and money for other nice things.

Tip: store food in its packaging or covered in the dry compartment, allowing moisture to remain inside the food and preventing the transfer of flavours and odours.

Use all your senses to ensure that the food is of high quality – independently from the best before date.

Food (examples)	Freshness retained past the best before date
Butter, yeast, sliced meat	Up to 1 week
Cream, butter milk	Up to 2 weeks
Yoghurt, soft cheese	Up to 3 weeks



### Food remains fresh up to 4 months longer than in a conventional refrigerator

The humidity-controlled compartment is perfect for storing fruits and vegetables. Stored at low temperatures and high humidity levels, your food remains fresh for a longer period of time.

Filling the drawer with fresh fruits and vegetables creates humidity thanks to a special Miele design. This results in, for example, apples stored in the humidity-controlled drawer staying fresh for up to 4 months longer than when stored in a conventional refrigerator. Stored inside the humidity-controlled compartment, vitamins, texture and taste are retained longer.

Tip: place fruits and vegetables in their packaging in the drawer to allow humidity to develop. To ensure that a sufficient humidity level develops, the compartment should always be well stocked.

If required, this compartment can be turned into a dry compartment by adjusting the humidity level using the slide control.

Food (examples)	Freshness retained longer than in refrigerator
Lettuce, mushrooms, onions, strawberries, blueberries, nectarines	Up to 1 week
Asparagus, kale, mirabelles, plums, rhubarb, peaches, morello cherries	Up to 2 weeks
Pears, apples, carrots	Up to 4 months







## Smart illumination



**Exclusive to Miele** **FlexiLight**  
The stylish FlexiLight glass shelf lighting guarantees optimum illumination of the entire interior of the refrigeration appliance. Thanks to refined technology, these FlexiLight glass shelves can be removed and inserted interchangeably onto different shelf levels.

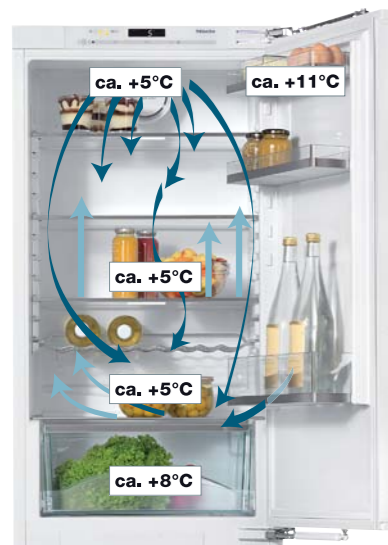


# DynaCool and NoFrost

## Optimal cooling and freezing solutions



### Consistent temperature control



### Dynamic Cooling

Due to the natural circulation of air in the appliance, there are different temperature zones in the refrigerator. Cold, heavy air sinks to the lowest section of the appliance and warmer air will rise nearer the top. This has a bearing on where to place food to obtain the optimum results.

The Miele Dynamic Cooling system, which is featured across a number of appliances, overcomes natural temperature imbalances by circulating cold air around the appliance. This constant flow of air enables the temperature inside the appliance to be maintained at the same level throughout. This provides the benefit of allowing you to choose where to store your food.

With Dynamic Cooling the temperature is set in the normal way with the temperature control. The electronics ensure that the desired temperature is reached and maintained. An additional benefit of Dynamic Cooling is that food and drinks will be chilled up to 50% more quickly than in a conventional refrigerator without this feature.

### No more defrosting

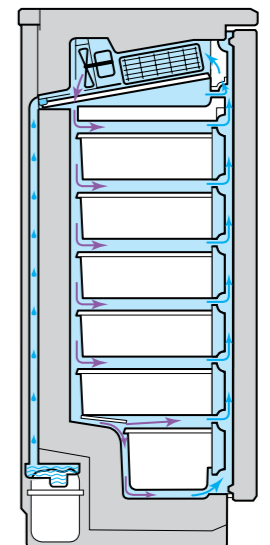
An increasing number of Miele refrigeration appliances have this important feature. Frost-free is a perfect system for optimum convenience and removes the tedious task of emptying and repacking the freezer. It results in zero build-up of frost on both food and the evaporator, saving time and electricity.

### How it works

In appliances which feature the frost-free system, cool air is circulated by a fan, enabling the food to freeze more quickly and thoroughly. Moisture in the air condenses and freezes on the evaporator, where it melts automatically and drains through a channel into a condensate tray. The heat from the compressor then causes the water to evaporate.

### Enclosed evaporator

Selected frost-free models will also feature a new enclosed evaporator. The evaporator, instead of being located at the back of the appliance will now fit into the front casing. The cabinet interior is surrounded on all sides by concealed aluminium evaporator tubing, which leaves the surface smooth on all sides and exceptionally easy to clean. The new positioning of the evaporator offers more flexible storage options, as the glass shelves can be removed easily allowing the drawers to accommodate much larger items.





# The elegance of steel



Stainless steel has long been the material of choice for professional kitchens and is now very much a popular option for the domestic environment. It creates a professional look and integrates with other appliances in the home. Miele stainless steel refrigeration appliances are the ultimate in style and sophistication.

High quality brushed stainless steel surfaces are used for the door, sides and rear panelling. The stainless steel door has

been given a special new finish that is resistant to fingerprints and soiling. Simply wipe with a damp cloth for exceptionally low maintenance. A diverse product range is available on free-standing products, which includes many of our high-end features

such as PerfectFresh zones, ice makers, fully electronic controls and frost-free freezer systems. Stainless steel from Miele: unparalleled elegance.

## Sophisticated lines

Simplicity of design creates a timeless classic. Clean, uninterrupted lines marries full height side panelling and doors to provide a sleek finish. Controls are neatly hidden behind the doors to continue the seamless appeal.

The subtly embossed Miele logo on the hand polished stainless steel provides an understated elegance, creating a stylish impression.



## The optimum climate for storing food

Fresh food tastes great and is better for you. With Miele refrigerators, you can be assured that your food is kept fresh and not lose its natural flavours and aromas.



**Exclusive to Miele** **EasyOpen lever handle**  
The EasyOpen lever handle has been elegantly styled to match other Miele built-in appliances. Its lever action is cleverly designed to gently release the seal and open the door effortlessly.





# Miele refrigeration highlights\*

The product highlights for perfect results and convenience

## PerfectFresh

Apart from the quality of the food at the point of purchase, the right storage conditions are also important. This is easily achieved with PerfectFresh – perfect storage conditions for fresh produce to retain vitamins, nutrients and flavours.



## Exclusive to Miele FlexiLight

Perfect glare-free lighting: the interior lighting can be positioned at all rack levels, ensuring optimum and elegant illumination of appliance interiors.



## NoFrost

Convenience: manual defrosting is no longer necessary. Cooled air is circulated and prevents the formation of ice on food.



## DynaCool

Uniform distribution of temperature: a ventilator ensures excellent circulation and distribution of cold air.



## Exclusive to Miele ComfortClean

Fast cleaning: the high-quality door racks are dishwasher-proof.



## Exclusive to Miele VarioBord

From the fridge straight onto the table: the versatile VarioBord shelves are very easy to insert and take out of their holders.

\*Features will vary depending on models



# Features and benefits\*

## Miele refrigerators and freezers



**Exclusive to Miele** **EasyOpen lever handle**  
Easy to open: the elegant handle allows you to open the door extremely effortlessly.



**Exclusive to Miele** **Active AirClean filters**  
Absorb strong odours: the combination of active charcoal filter and chitosan (a natural product) effectively absorb odours.



**SoftClose**  
Closes quietly and reliably: the gently self-closing door prevents items from falling out.



**LED lighting**  
Maintenance free and economical: efficient and durable LEDs ensure perfect illumination of the interior.



**IceMaker**  
Produced quickly and stored: Miele's IceMaker has separate controls and can produce about 100 ice cubes a day.



**CleanSteel**  
No fingerprints on stainless steel: the surface is protected and no special cleaning agents are required.



**SuperCool/SuperFrost**  
Fast cooling and freezing: ideal for large quantities of food, extra cold drinks or gentle freezing.





# The perfect cooling solutions for you

## Miele product overview

### Freestanding refrigerators and freezers



**FN 14827 S ed/cs-1**  
60 cm wide freezer  
EasyOpen lever handle  
CleanSteel  
TouchControl  
NoFrost  
VarioRoom  
SoftClose



**K 14820 SD ed/cs**  
60 cm wide fridge  
EasyOpen lever handle  
CleanSteel  
TouchControl  
DynaCool  
Active AirClean filter  
SoftClose



**KFN14827 SDE ed/cs-2**  
60 cm wide fridge-freezer  
EasyOpen lever handle  
CleanSteel  
TouchControl  
PerfectFresh  
DynaCool  
Active AirClean filter  
SoftClose



**KWTN 14826 SDE ed/cs-2**  
60 cm wide fridge-freezer  
EasyOpen lever handle  
CleanSteel  
TouchControl  
Wine cooling compartment  
Active AirClean filter  
SoftClose



**KFN 14842 SD ed/cs-1**  
75 wide fridge-freezer  
EasyOpen lever handle  
CleanSteel  
TouchControl  
VarioBord  
Active AirClean filter  
SoftClose



**KFNS 37432 iD**  
56 cm wide  
Humidity range  
DynaCool, NoFrost, SoftClose, FlexiLight,  
ComfortClean, hinge right,  
convertible



**KFNS 37232 iD**  
56 cm wide  
Humidity range  
DynaCool, NoFrost, VarioRoom,  
ComfortClean, hinge right,  
convertible

**Applicable for Side-by-side installation:**

#### KSBS Fridge-Freezer-1

121 cm wide  
Left side : FN 14827 SD ed/cs-1  
Right side: K 14820 SD ed/cs

**Applicable for Side-by-side installation:**

#### KSBS Fridge Plus-2

121 cm wide  
Left side : KFN 14827 SDE ed/cs-2  
Right side: K 14820 SD ed/cs

**Applicable for Side-by-side installation:**

#### KSBS Fridge Deluxe-2

121 cm wide  
Left side : KWTN 14826 SDE ed/cs-2  
Right side: K 14820 SD ed/cs

### Integrated Refrigeration Refrigerators



# Freestanding fridges and freezers



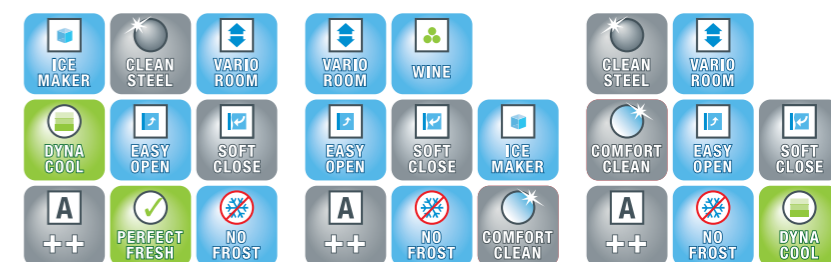
Model number	K 14820 SD ed/cs	FN 14827 S ed/cs-1
<b>Appliance category</b>		
Refrigerator	●	-
Freezer	-	●
<b>Type of appliance</b>		
Freestanding	●	●
Door hinging/convertible hinging	Right/●	Left/●
Side-by-side possible/Side-by-side possible with matching appliance	●/FN 14827 S ed/cs-1	●/K 14820 SD ed/cs
Position for side-by-side	Right	Left
<b>Design</b>		
Colours and front	CleanSteel	CleanSteel
Lighting in refrigerator/refrigeration section/Type of lighting	●/LED	●/LED
<b>Convenience features</b>		
PerfectFresh/ComfortClean/Dynamic cooling	-/●/●	-/-/-
Frost free/VarioRoom/IceMaker	-/-/-	●/●/-
Active AirClean filter and change reminder indicator	●	-
EasyOpen lever handle/SoftClose door closure	●/●	●/●
Wooden shelves	-	-
<b>Controls</b>		
Electronic temperature display and control	TouchControl	TouchControl
Independent switch off for refrigeration section	-	-
Independent temperature control of refrigeration and freezer sections	-	-
Super cool/Super freeze	●/-	-/●
Number of temperature zones	1	1
<b>Refrigerator/refrigeration section</b>		
Height-adjustable toughened glass shelves	●	-
Number of shelves/including number of split shelves	5/1	-/-
Chrome metal bottle rack	●	-
Number of removable fruit & vegetable containers	2 on telescopic runners	-
Butter and cheese compartment	●	-
VarioBord for jars/condiments (can be used at the table)	●	-
Full width door shelves/half-width door shelves	1/2	-/-
Number of bottle shelves in door	2	-
<b>Freezer/Freezer section</b>		
Number of removable freezer drawers/freezer baskets	-	8
<b>Efficiency and sustainability</b>		
Efficiency class	A+	A++
Energy consumption per year in kWh/in 24 h in kWh	149/0.407	248/0.677
<b>Safety</b>		
Appliance lock/Power cut indication for the freezer section	●/-	●/●
Acoustic door alarm/Acoustic temperature alarm	●/-	●/●
Optical door alarm/Optical temperature alarm	-/-	-/●
<b>Technical data</b>		
Dimensions in mm (W x H x D)	600 x 1850 x 630	600 x 1850 x 630
Climate class	SN-T	SN-T
Total usable capacity in l	391	261
Refrigeration section in l/PerfectFresh zone in l/4 star freezer section in l	391/-/-	0/0/261
Wine conditioning zone in l	-	-
Storage time in the event of a fault in h/Freezer capacity in 24 h in kg	0/0.0	43/20.0
Sound power in dB(A) re 1pW	34	43
Current consumption in milliamps (mA)	1200	1300
<b>Accessories supplied</b>		
Butter dish/Egg tray	●/●	-/-
Cool pack/Ice cube tray	-/-	●/●
<b>Electrical connection</b>		
Voltage (50 Hz) (V)	220 - 240	220 - 240
Fuse rating (A)	13	13



# Freestanding fridge-freezers



Model number	KFN 14827 SDE ed/cs-2	KWTN 14826 SDE ed/cs-2	KFN 14842 SD ed/cs-1
<b>Appliance category</b>			
Fridge-freezer	●	●	●
<b>Type of appliance</b>			
Freestanding	●	●	●
Door hinging/convertible hinging	Left/●	Left/●	Right/●
Side-by-side possible/Side-by-side possible with matching appliance	●/K 14820 SD ed/cs	●/K 14820 SD ed/cs	-/-
Position for side-by-side	Left	Left	-
<b>Design</b>			
Colours and front	CleanSteel	CleanSteel	CleanSteel
Lighting in refrigerator/refrigeration section/Type of lighting	●/LED	●/LED	●/LED
<b>Convenience features</b>			
PerfectFresh/ComfortClean/Dynamic cooling	●/-/●	-/-/●	-/●/●
Frost free/VarioRoom/IceMaker	●/●/●	●/●/●	●/●/-
Active AirClean filter and change reminder indicator	●	●	●
EasyOpen lever handle/SoftClose door closure/Wooden shelves	●/●/-	●/●/●	●/●/-
<b>Controls</b>			
Electronic temperature display and control	TouchControl	TouchControl	TouchControl
Independent switch off for refrigeration section	●	●	●
Independent temperature control of refrigeration and freezer sections	●	●	●
Super cool/Super freeze/Number of temperature zones	-/●/2	-/●/2	●/●/2
<b>Refrigerator/refrigeration section</b>			
Height-adjustable toughened glass shelves	●	-	●
Number of shelves/including number of split shelves	1/1	-/-	4/1
Chrome metal bottle rack	●	-	●
Number of removable fruit & vegetable containers	-	-	2
Butter and cheese compartment	-	-	●
VarioBord for jars/condiments (can be used at the table)	-	-	●
Full width door shelves/half-width door shelves	-/-	-/-	2/2
Number of bottle shelves in door	-	-	1
<b>Freezer/Freezer section</b>			
Number of removable freezer drawers/freezer baskets	5	5	2
<b>Efficiency and sustainability</b>			
Efficiency class	A++	A++	A++
Energy consumption per year in kWh/in 24 h in kWh	271/0.742	220/0.601	265/0.726
<b>Safety</b>			
Appliance lock/Power cut indication for the freezer section	●/●	●/●	●/●
Acoustic door alarm/Acoustic temperature alarm	●/●	●/●	●/●
Optical door alarm/Optical temperature alarm	●/●	●/●	●/●
<b>Technical data</b>			
Dimensions in mm (W x H x D)	600 x 1850 x 630	600 x 1850 x 630	750 x 1860 x 630
Climate class	SN-T	SN-T	SN-T
Total usable capacity in l	276	247	420
Refrigeration section in l/PerfectFresh zone in l/4 star freezer section in l	-/157/119	128/0/119	338/0/82
Wine conditioning zone in l	-	128	-
Storage time in the event of a fault in h/Freezer capacity in 24 h in kg	31/16.0	31/16.0	34/8.0
Sound power in dB(A) re 1pW	40	42	41
Current consumption in milliamps (mA)	1400	1400	1500
<b>Accessories supplied</b>			
Butter dish/Egg tray	-/-	-/-	●/●
Cool pack/Ice cube tray	●/●	●/●	●/●
<b>Electrical connection</b>			
Voltage (50 Hz) (V)	220 - 240	220 - 240	220 - 240
Fuse rating (A)	13	13	13





# KSBS Fridge-Freezer-1



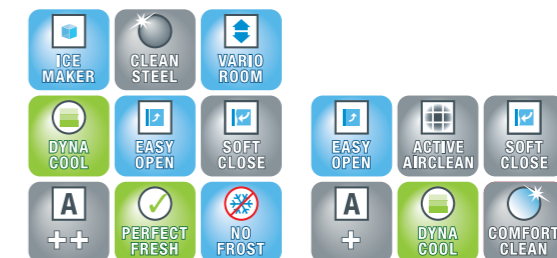
Model number	KSBS Fridge-Freezer-1	
	Left side FN 14827 SD ed/cs-1	Right side K 14820 SD ed/cs
<b>Appliance category</b>		
Refrigerator	-	●
Freezer	●	-
Fridge-freezer	-	-
<b>Type of appliance</b>		
Freestanding	●	●
<b>Design</b>		
Colours and front	CleanSteel	CleanSteel
Lighting in refrigerator/refrigeration section/Type of lighting	●/LED	●/LED
<b>Convenience features</b>		
PerfectFresh/ComfortClean/Dynamic cooling	-/-/-	-/●/●
Frost free/VarioRoom/IceMaker	●/●/-	-/-/-
Active AirClean filter and change reminder indicator	-	●
EasyOpen lever handle/SoftClose door closure	●/●	●/●
Wooden shelves	-	-
<b>Controls</b>		
Electronic temperature display and control	TouchControl	TouchControl
Independent switch off for refrigeration section	-	-
Independent temperature control of refrigeration and freezer sections	-	-
Super cool/Super freeze	-/●	●/-
Number of temperature zones	1	1
<b>Refrigerator/refrigeration section</b>		
Height-adjustable toughened glass shelves	-	●
Number of shelves/including number of split shelves	-/-	5/1
Chrome metal bottle rack	-	●
Number of removable fruit & vegetable containers	-	2 on telescopic runners
Butter and cheese compartment	-	●
VarioBord for jars/condiments (can be used at the table)	-	●
Full width door shelves/half-width door shelves	-/-	1/2
Number of bottle shelves in door	-	2
<b>Freezer/Freezer section</b>		
Number of removable freezer drawers/freezer baskets	8	-
<b>Efficiency and sustainability</b>		
Efficiency class	A++	A+
Energy consumption per year in kWh/in 24 h in kWh 24	248/0.677	149/0.407
<b>Safety</b>		
Appliance lock/Power cut indication for the freezer section	●/●	●
Acoustic door alarm/Acoustic temperature alarm	●/●	●/-
Optical door alarm/Optical temperature alarm	-/●	-/-
<b>Technical data</b>		
Dimensions in mm (W x H x D)	600 x 1850 x 630	600 x 1850 x 630
Climate class	SN-T	SN-T
Total usable capacity in l	261	391
Refrigeration section in l/PerfectFresh zone in l/4 star freezer section in l	0/0/261	391/-/-
Wine conditioning zone in l	-	-
Storage time in the event of a fault in h/Freezer capacity in 24 h in kg	43/20.0	0/0.0
Sound power in dB(A) re1pW	43	34
Current consumption in milliamps (mA)	1300	1200
<b>Accessories supplied</b>		
Butter dish/Egg tray	-/-	●/●
Cool pack/Ice cube tray	●/●	-/-
<b>Electrical connection</b>		
Voltage (50 Hz) (V)	220 - 240	220 - 240
Fuse rating (A)	13	13



# KSBS Fridge Plus-2



Model number	KSBS Fridge Plus-2	
	Left side KFN 14827 SDE ed/cs-2	Right side K 14820 SD ed/cs
<b>Appliance category</b>		
Refrigerator	-	●
Fridge-freezer	●	-
<b>Type of appliance</b>		
Freestanding	●	●
<b>Design</b>		
Colours and front	CleanSteel	CleanSteel
Lighting in refrigerator/refrigeration section/Type of lighting	●/LED	●/LED
<b>Convenience features</b>		
PerfectFresh/ComfortClean/Dynamic cooling	●/-/●	-/●/●
Frost free/VarioRoom/IceMaker	●/●/●	-/-/-
Active AirClean filter and change reminder indicator	●	●
EasyOpen lever handle/SoftClose door closure	●/●	●/●
<b>Controls</b>		
Electronic temperature display and control	TouchControl	TouchControl
Independent switch off for refrigeration section	●	-
Independent temperature control of refrigeration and freezer sections	●	-
Super cool/Super freeze	-/●	●/-
Number of temperature zones	2	1
<b>Refrigerator/refrigeration section</b>		
Height-adjustable toughened glass shelves	●	●
Number of shelves/including number of split shelves	1/1	5/1
Chrome metal bottle rack	●	●
Number of removable fruit & vegetable containers	-	2 on telescopic runners
Butter and cheese compartment	-	●
VarioBord for jars/condiments (can be used at the table)	-	●
Full width door shelves/half-width door shelves	-/-	1/2
Number of bottle shelves in door	-	2
<b>Freezer/Freezer section</b>		
Number of removable freezer drawers/freezer baskets	5	-
<b>Efficiency and sustainability</b>		
Efficiency class	A++	A+
Energy consumption per year in kWh/in 24 h in kWh 24	271/0.742	149/0.407
<b>Safety</b>		
Appliance lock/Power cut indication for the freezer section	●/●	●/-
Acoustic door alarm/Acoustic temperature alarm	●/●	●/-
Optical door alarm/Optical temperature alarm	●/●	-/-
<b>Technical data</b>		
Dimensions in mm (W x H x D)	600 x 1850 x 630	600 x 1850 x 630
Climate class	SN-T	SN-T
Total usable capacity in l	276	391
Refrigeration section in l/PerfectFresh zone in l/4 star freezer section in l	-/157/119	391/-/-
Storage time in the event of a fault in h/Freezer capacity in 24 h in kg	31/16.0	0/0.0
Sound power in dB(A) re1pW	40	34
Current consumption in milliamps (mA)	1400	1200
<b>Accessories supplied</b>		
Butter dish/Egg tray	-/-	●/●
Cool pack/Ice cube tray	●/●	-/-
<b>Electrical connection</b>		
Voltage (50 Hz) (V)	220 - 240	220 - 240
Fuse rating (A)	13	13





# KSBS Fridge Deluxe-2



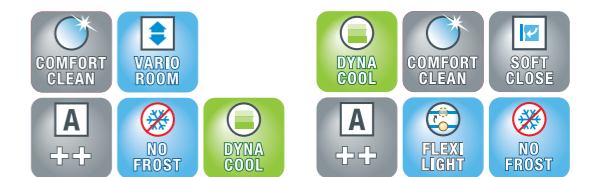
Model number	KSBS Fridge Deluxe-2	
	Left side KWTDN 14826 SDE ed/cs-2	Right side K 14820 SD ed/cs
<b>Appliance category</b>		
Refrigerator	-	●
Fridge-freezer	●	-
<b>Type of appliance</b>		
Freestanding	●	●
<b>Design</b>		
Colours and front	CleanSteel	CleanSteel
Lighting in refrigerator/refrigeration section/Type of lighting	●/LED	●/LED
<b>Convenience features</b>		
PerfectFresh/ComfortClean/Dynamic cooling	-/-/●	-/●/●
Frost free/VarioRoom/IceMaker	●/●/●	-/-/-
Active AirClean filter and change reminder indicator	●	●
EasyOpen lever handle/SoftClose door closure	●/●	●/●
Wooden shelves	●	-
<b>Controls</b>		
Electronic temperature display and control	TouchControl	TouchControl
Independent switch off for refrigeration section	●	-
Independent temperature control of refrigeration and freezer sections	●	-
Super cool/Super freeze/Number of temperature zones	-/●/2	●/-/1
<b>Refrigerator/refrigeration section</b>		
Height-adjustable toughened glass shelves	-	●
Number of shelves/including number of split shelves	-/-	5/1
Chrome metal bottle rack	-	●
Number of removable fruit & vegetable containers	-	2 on telescopic runners
Butter and cheese compartment	-	●
VarioBord for jars/condiments (can be used at the table)	-	●
Full width door shelves/half-width door shelves	-/-	1/2
Number of bottle shelves in door	-	2
<b>Freezer/Freezer section</b>		
Number of removable freezer drawers/freezer baskets	5	-
<b>Efficiency and sustainability</b>		
Efficiency class	A++	A+
Energy consumption per year in kWh/in 24 h in kWh 24	220/0.601	149/0.407
<b>Safety</b>		
Appliance lock/Power cut indication for the freezer section	●/●	●/-
Acoustic door alarm/Acoustic temperature alarm	●/●	●/-
Optical door alarm/Optical temperature alarm	●/●	-/-
<b>Technical data</b>		
Dimensions in mm (W x H x D)	600 x 1850 x 630	600 x 1850 x 630
Climate class	SN-T	SN-T
Total usable capacity in l	247	391
Refrigeration section in l/PerfectFresh zone in l/4 star freezer section in l	128/0/119	391/-/-
Wine conditioning zone in l	128	-
Storage time in the event of a fault in h/Freezer capacity in 24 h in kg	31/16.0	0/0.0
Sound power in dB(A)re1pW	42	34
Current consumption in milliamps (mA)	1400	1200
<b>Accessories supplied</b>		
Butter dish/Egg tray	-/-	●/●
Cool pack/Ice cube tray	●/●	-/-
<b>Electrical connection</b>		
Voltage (50 Hz) (V)	220 - 240	220 - 240
Fuse rating (A)	13	13



# Integrated fridge-freezers

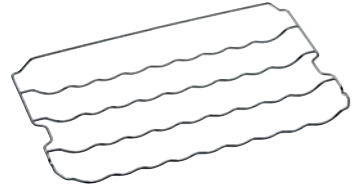


Model number	KFNS 37232 iD	KFNS 37432 iD
<b>Appliance category</b>		
Fridge-freezer	●	●
<b>Type of Appliance</b>		
Integrated	●	●
Door hinging/convertible hinging	Right/●	Right/●
Side-by-side possible	●	●
Position for side-by-side	Left/right	Left/right
<b>Design</b>		
Colours and front	-/-	-/-
Lighting in refrigerator/refrigeration section/Type of lighting	●/LED	●/FlexiLight
<b>Convenience features</b>		
PerfectFresh/ComfortClean/Dynamic cooling	-/●/●	-/●/●
Frost free/VarioRoom/IceMaker	●/●/-	●/●/-
Active AirClean filter and change reminder indicator	-	-
EasyOpen lever handle/SoftClose door closure	-/-	-/●
<b>Controls</b>		
Electronic temperature display and control	PicTronic	TouchControl
Independent switch off for refrigeration section	●	●
Independent temperature control of refrigerator and freezer sections	●	●
Super cool/Super freeze	●/●	●/●
Number of temperature zones	2	2
<b>Refrigerator/refrigeration section</b>		
Height-adjustable toughened glass shelves	●	●
Number of shelves/including number of split shelves	4/-	3/-
Chrome metal bottle rack	-	●
Number of removable fruit & vegetable containers	1	1
Butter and cheese compartment	-	-
VarioBord for jars/condiments (can be used at the table)	-	-
Full width door shelves/half-width door shelves	2/-	2/-
Number of bottle shelves in door	1	1
<b>Freezer/Freezer section</b>		
Number of removable freezer drawers/freezer baskets	3	3
<b>Efficiency and sustainability</b>		
Efficiency class	A++	A++
Energy Consumption per Year in kWh/In 24 h in kWh	233/0.637	390/0.637
<b>Safety</b>		
Appliance lock/Power cut indication for the freezer section	●/●	●/●
Acoustic door alarm/Acoustic temperature alarm	●/●	●/●
Optical door alarm/Optical temperature alarm	-/●	●/●
<b>Technical data</b>		
Dimensions in mm (W x H x D)	1772 - 1788 x 560 - 570	1772 - 1788 x 560 - 570
Climate class	SN-T	SN-T
Total usable capacity in l	261	261
Refrigeration section in l/PerfectFresh zone in l/4 star freezer section in l	198/-/63	198/0/63
Storage time in the event of a fault in h/Freezer capacity in 24 h in kg	24/10	24/10
Sound power in dB(A)re1pW	38	37
Current consumption in milliamps (mA)	1400	1400
<b>Accessories supplied</b>		
Butter dish/Egg tray	●/2	●/2
Cool pack/Ice cube tray	-/●	2/●
<b>Electrical connection</b>		
Voltage (50 Hz) (V)	220 - 240	220 - 240
Fuse rating (A)	13	13





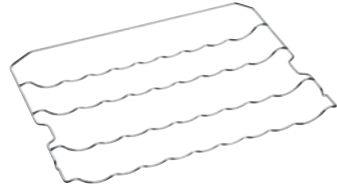
# Accessories for refrigerators



**Bottle rack**  
**KFR 30060**

Made from chrome-plated metal for the horizontal storage of up to five bottles

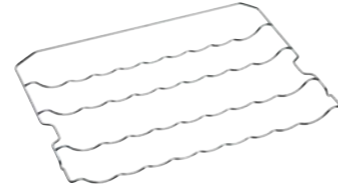
- For built-in K 30,000 refrigeration series



**Bottle rack**  
**KFR 10061**

Made from chrome-plated metal for the horizontal storage of up to five bottles

- For 60 cm wide K 10,000 freestanding refrigeration appliances without PerfectFresh



**Bottle rack**  
**KFR 10067**

Made from chrome-plated metal for the horizontal storage of up to five bottles

- For 60 cm wide K 10,000 freestanding refrigeration appliances with PerfectFresh



**FlexiLight light strip**

For a perfectly illuminated refrigerator

- For fitting onto the front of the glass shelves
- With 3 LEDs
- Contents: 1 pre-configured light unit
- Suitable for K 30,000 refrigerator series



**Retrofitting kit for Active AirClean filter**  
**KKF-FF**

Prevents unpleasant odours in the refrigerator

- For optimum and odour-neutral food storage conditions
- Innovative combination of active charcoal with chitosan
- To be fitted onto the rear edge of the glass shelves
- Recommended replacement: approximately every 6 months
- Only the two filters require replacing
- Retrofittable on all K 9xxx built-in appliances



**Odour-absorbing Active AirClean filter**  
**KKF-RF**

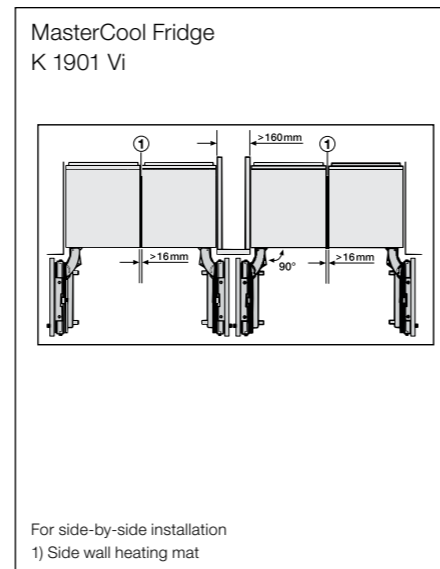
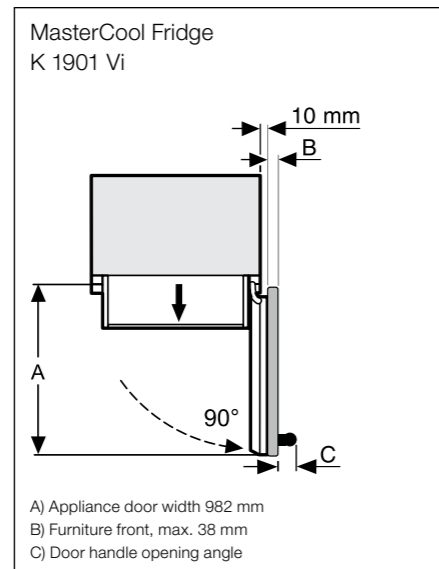
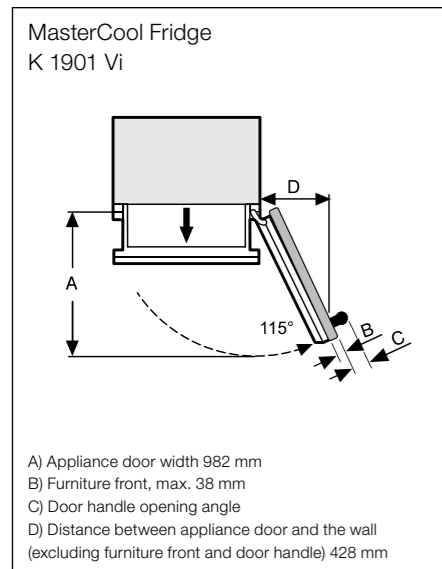
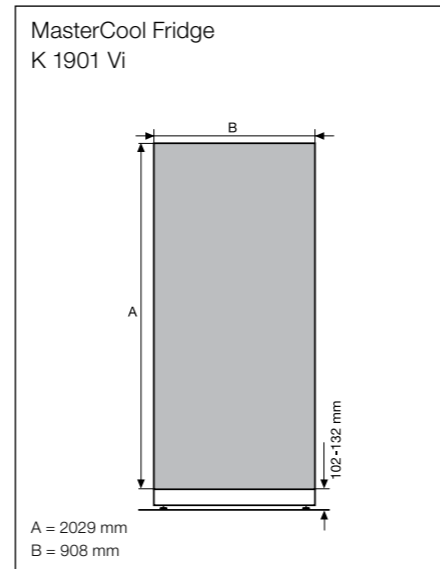
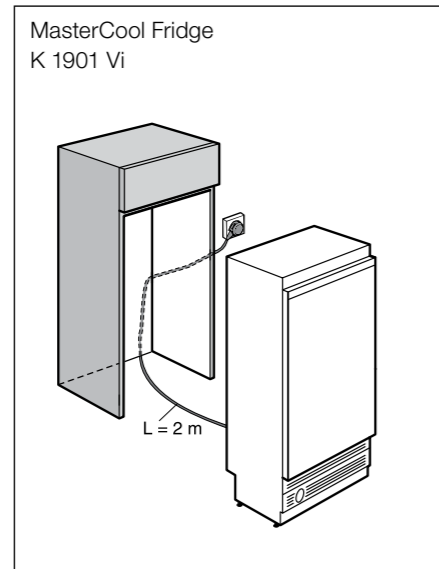
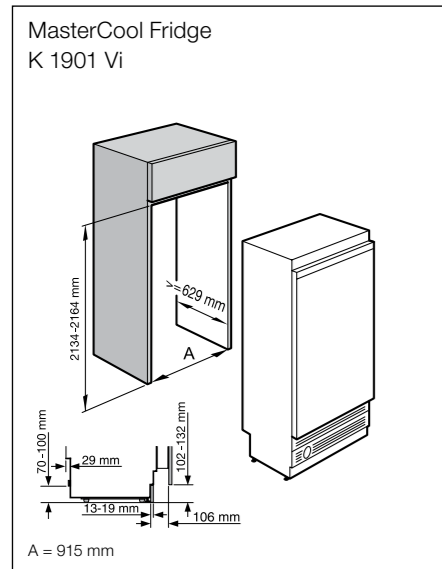
Contents: 2 odour filters

- For filter replacement in plastic housing of KKF-FF
- Recommended replacement: approximately every 6 months
- Suitable for K 14xxx and KFN 14xxx models.

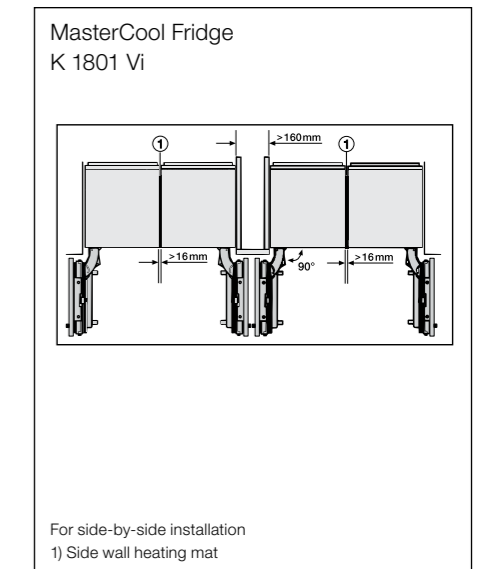
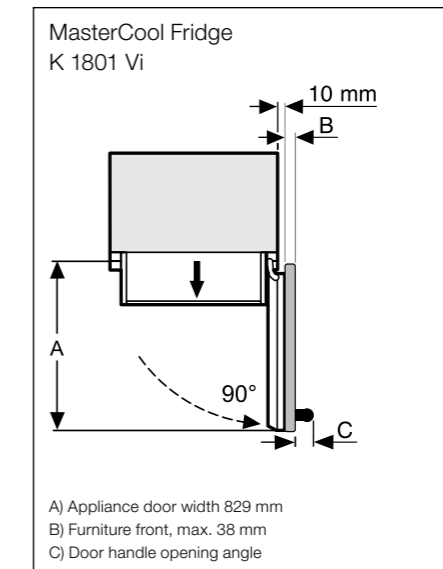
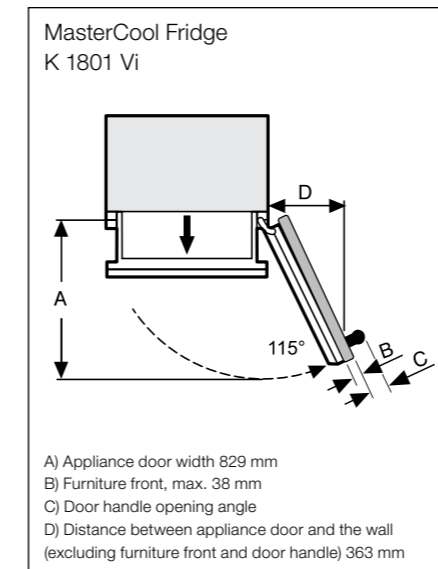
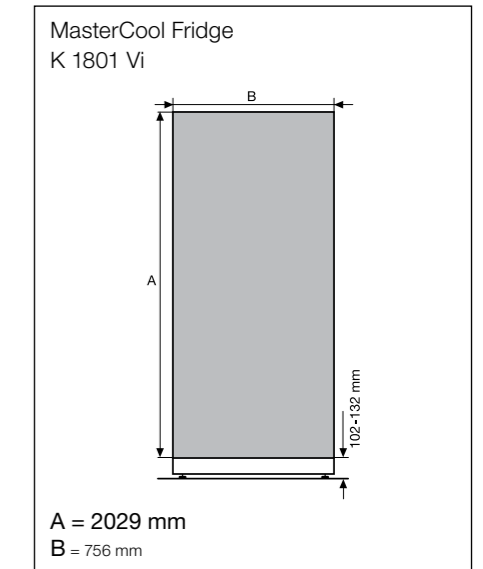
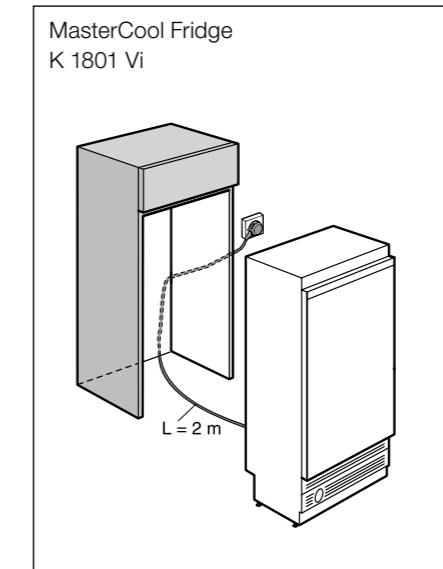
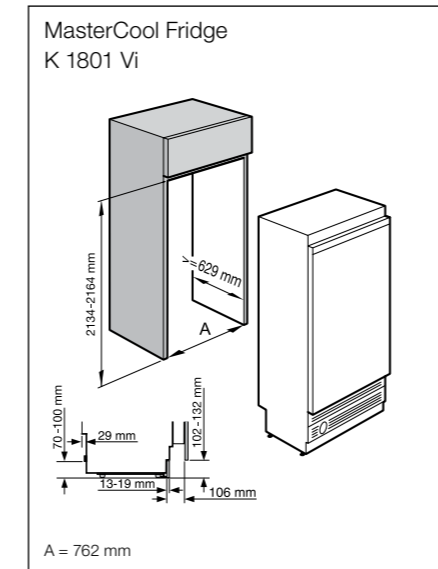




# Installation drawings: K 1901 Vi



# Installation drawings: K 1801 Vi



**N.B.** Air vents must not be covered or blocked in any way.

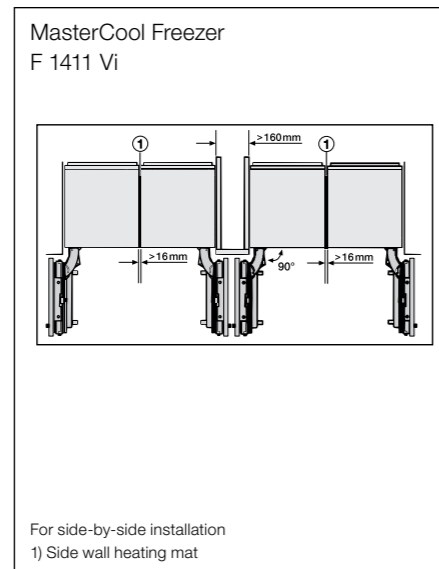
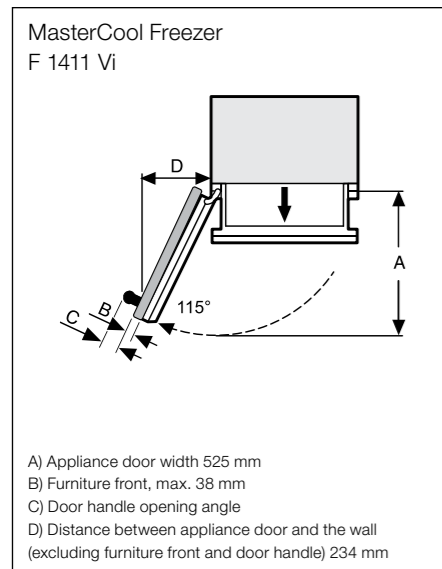
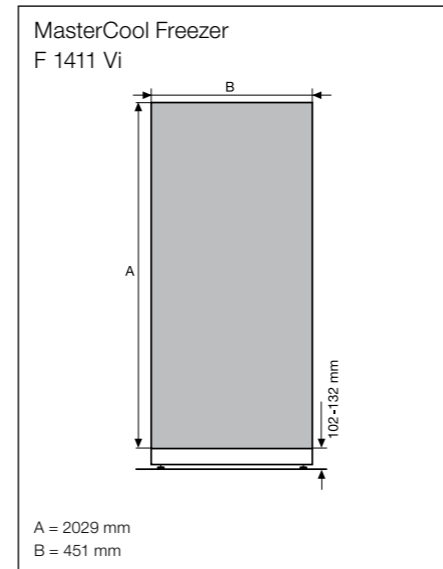
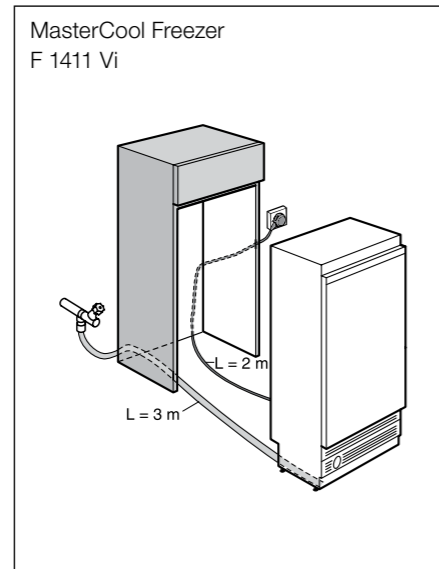
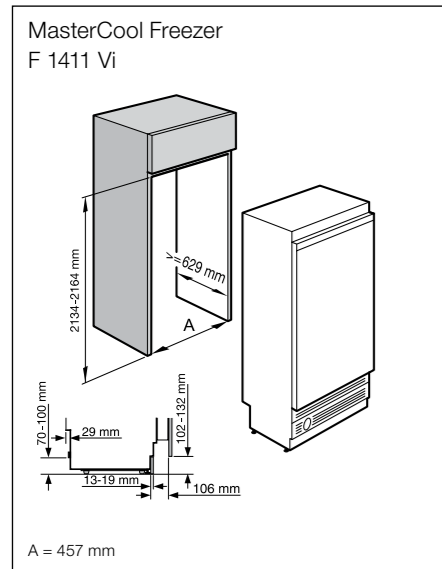
The recommended thickness of furniture front is 1.9 cm but could be increased to 3.8 cm. In this case the niche depth has to be increased accordingly and maximum weight has to be considered.

**N.B.** Air vents must not be covered or blocked in any way.

The recommended thickness of furniture front is 1.9 cm but could be increased to 3.8 cm. In this case the niche depth has to be increased accordingly and maximum weight has to be considered.



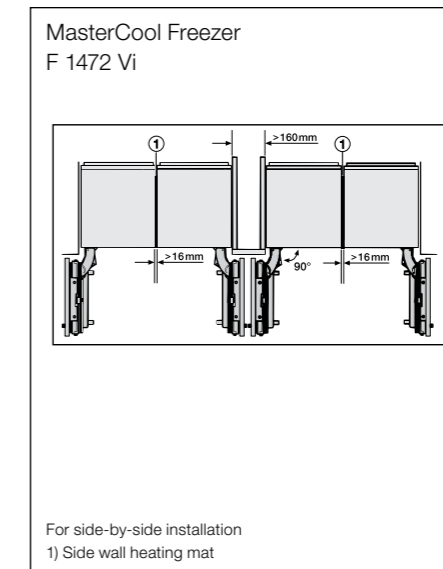
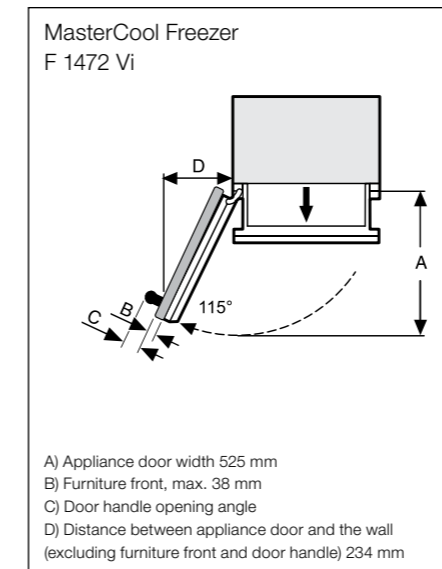
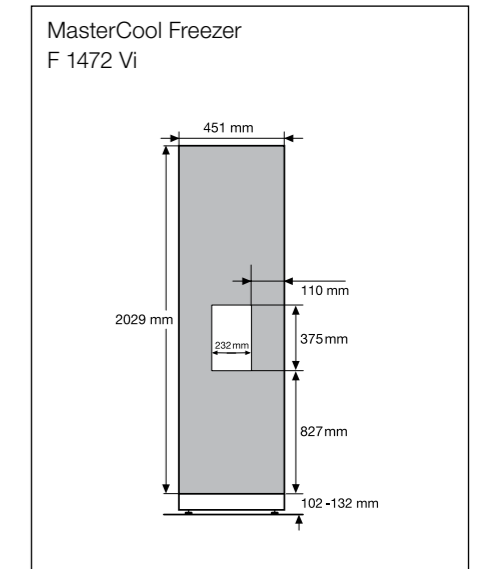
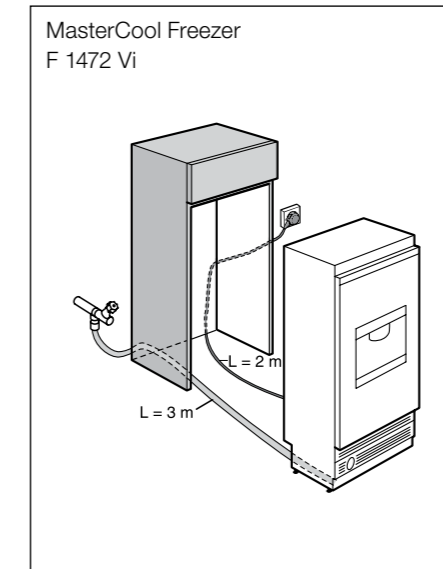
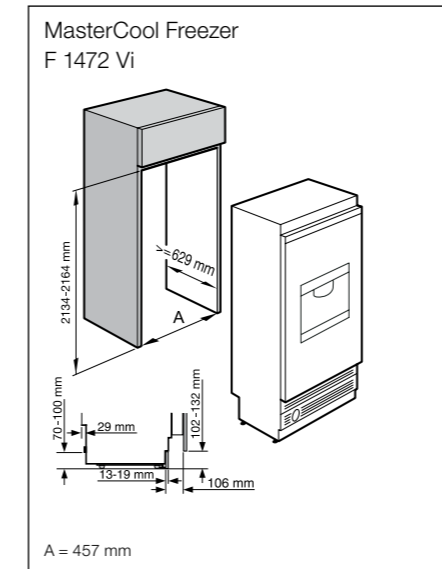
# Installation drawings: F 1411 Vi



**N.B.** Air vents must not be covered or blocked in any way.

The recommended thickness of furniture front is 1.9 cm but could be increased to 3.8 cm. In this case the niche depth has to be increased accordingly and maximum weight has to be considered.

# Installation drawings: F 1472 Vi

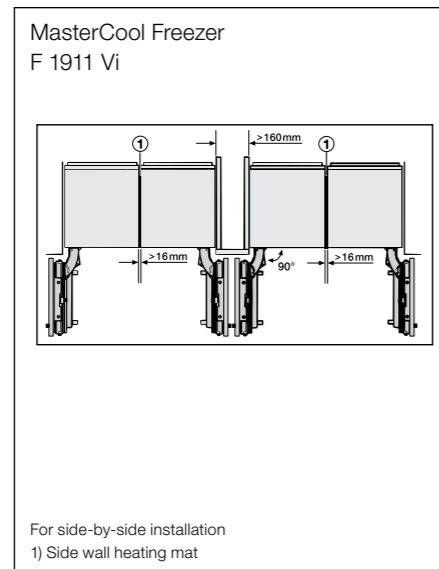
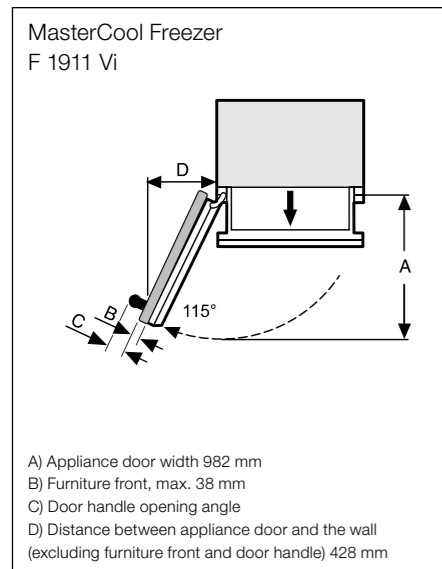
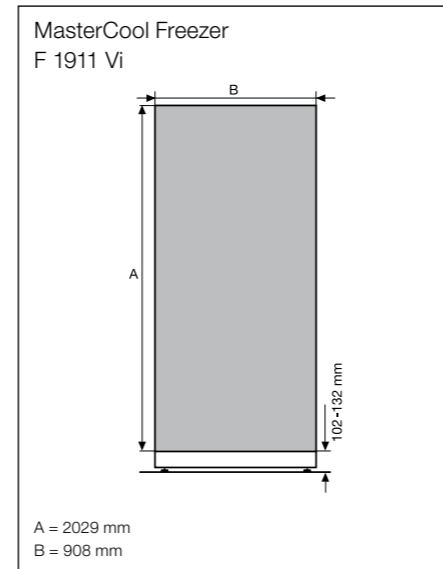
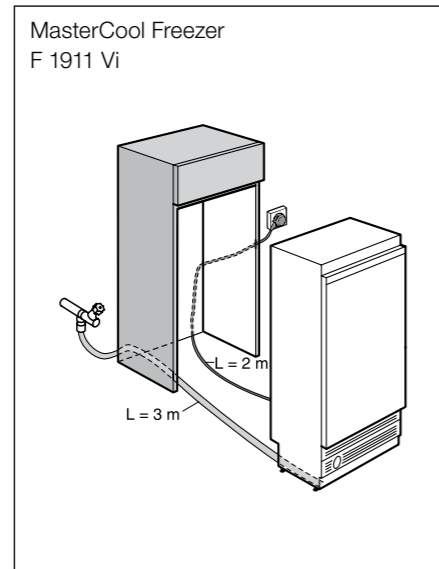
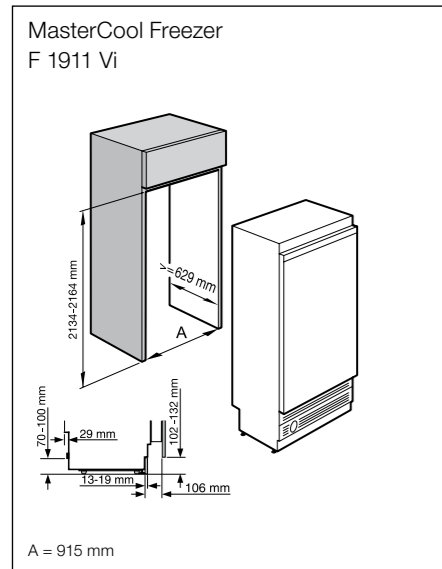


**N.B.** Air vents must not be covered or blocked in any way.

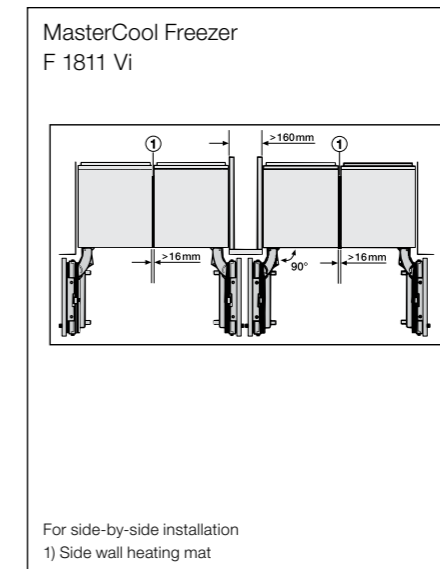
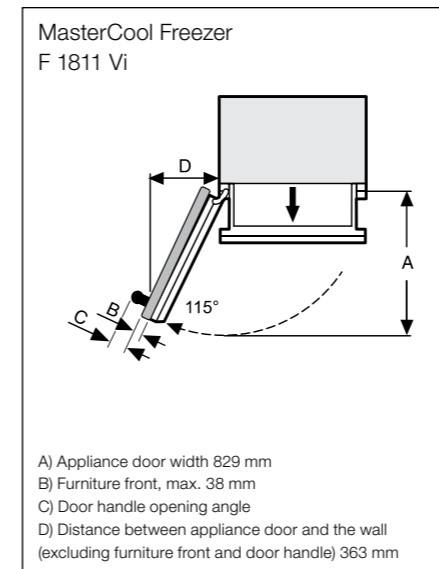
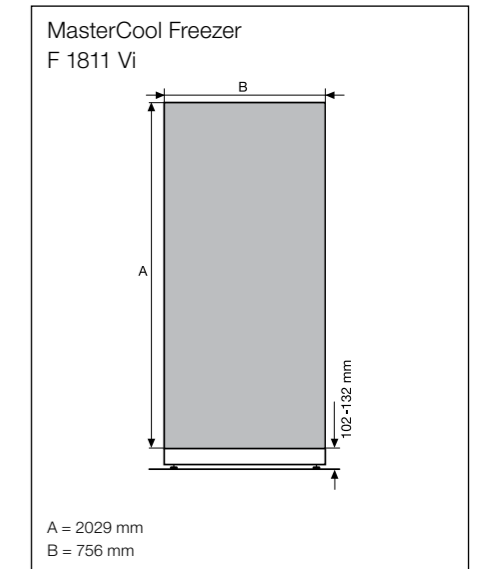
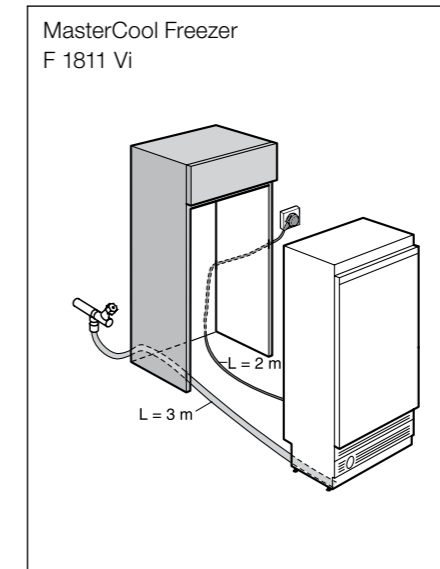
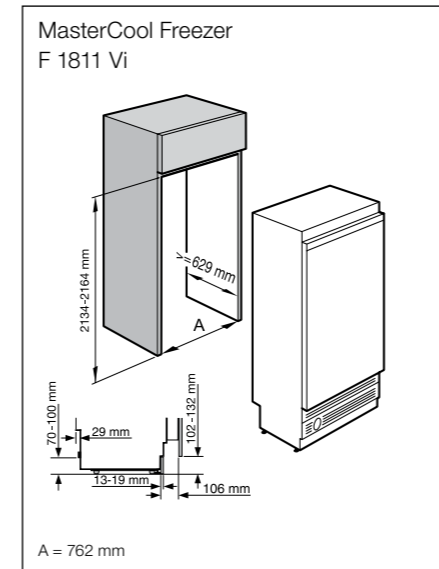
The recommended thickness of furniture front is 1.9 cm but could be increased to 3.8 cm. In this case the niche depth has to be increased accordingly and maximum weight has to be considered.



# Installation drawings: F 1911 Vi



# Installation drawings: F 1811 Vi



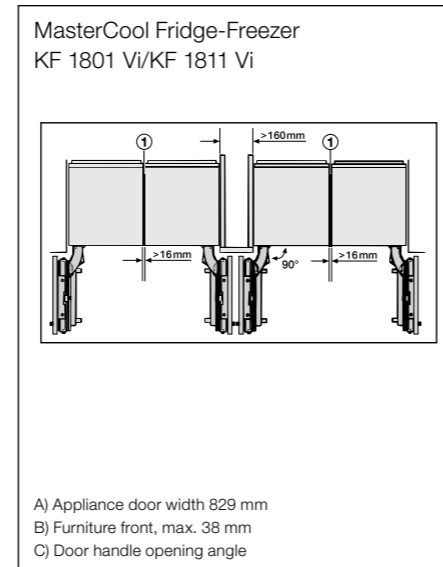
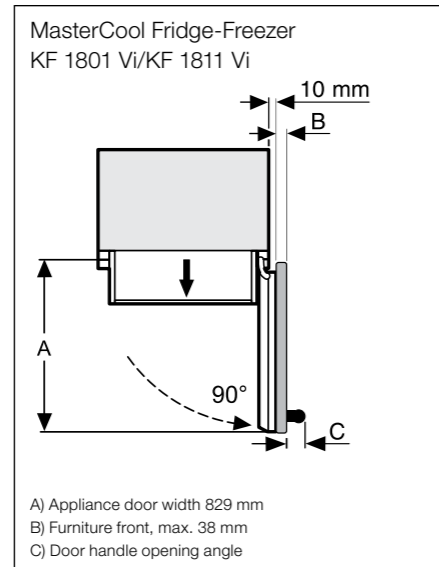
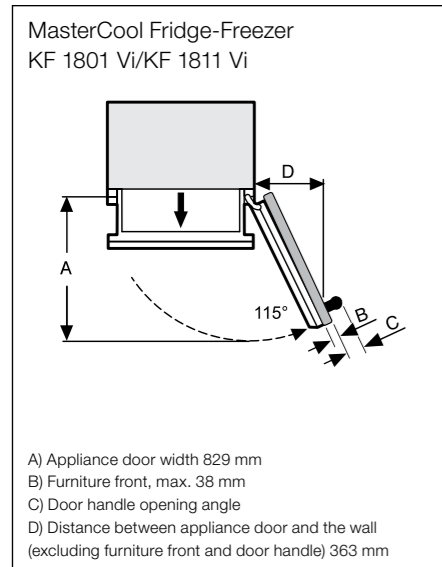
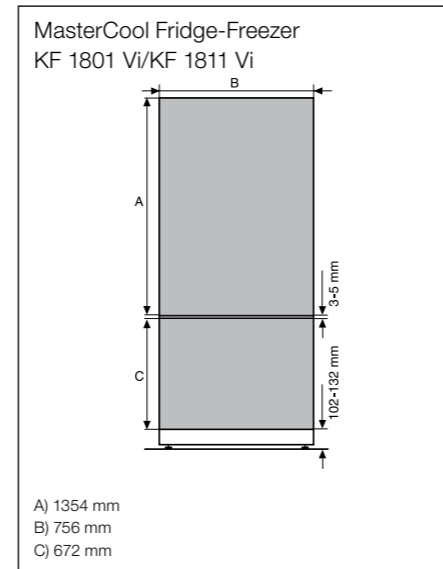
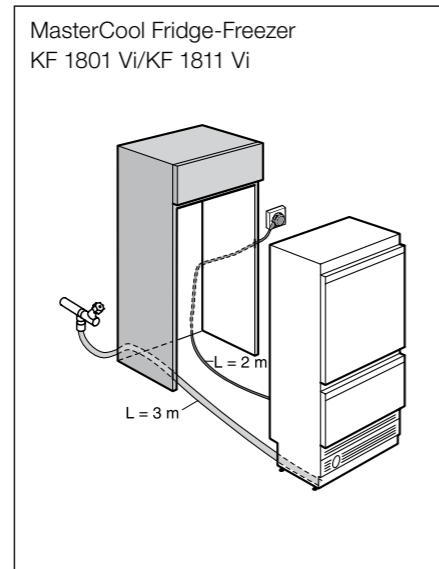
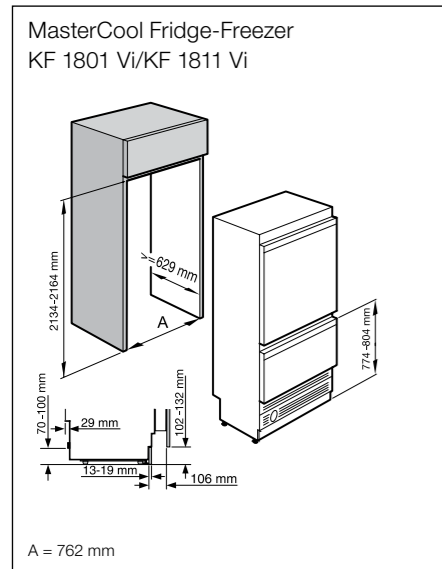
**N.B.** Air vents must not be covered or blocked in any way.

The recommended thickness of furniture front is 1.9 cm but could be increased to 3.8 cm. In this case the niche depth has to be increased accordingly and maximum weight has to be considered.

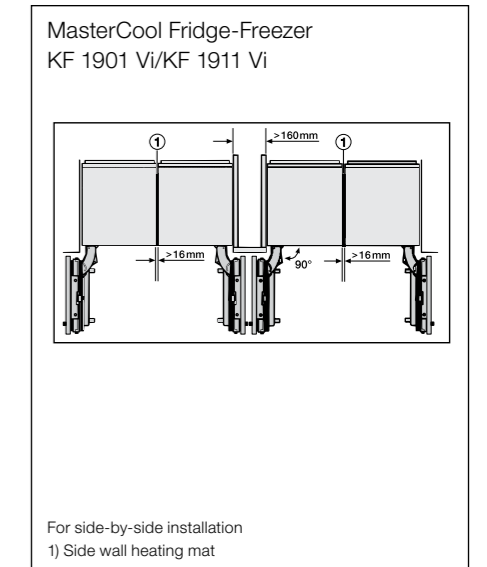
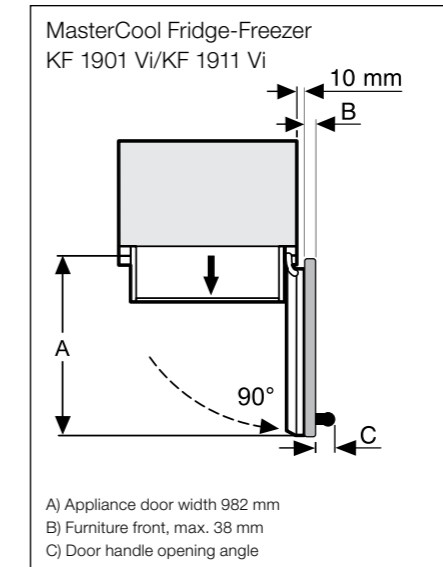
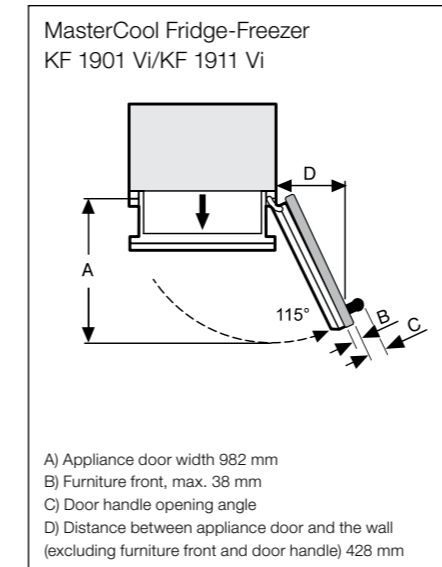
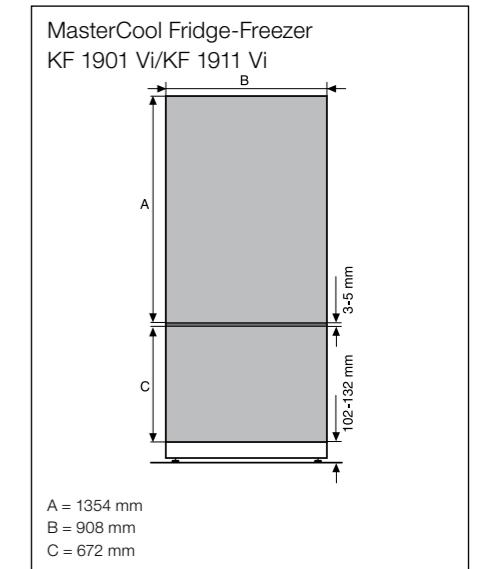
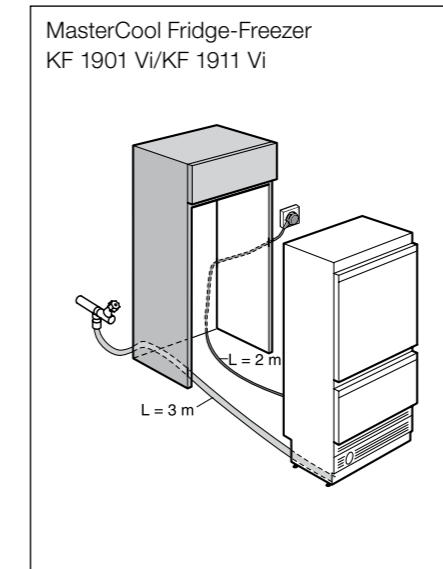
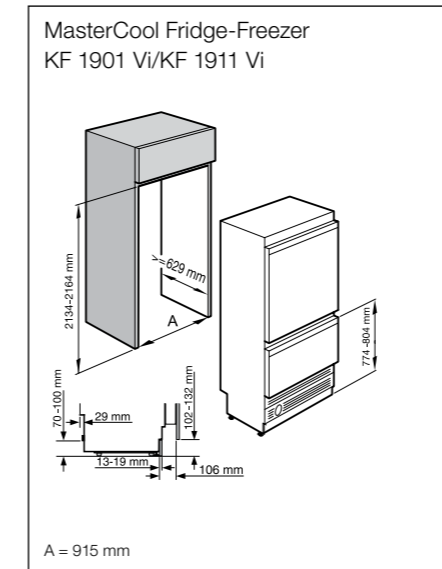
**N.B.** Air vents must not be covered or blocked in any way.

The recommended thickness of furniture front is 1.9 cm but could be increased to 3.8 cm. In this case the niche depth has to be increased accordingly and maximum weight has to be considered.

# Installation drawings: KF 1801 Vi (Right hinged)/KF 1811 Vi (Left hinged)



# Installation drawings: KF 1901 Vi (Right hinged)/KF 1911 Vi (Left hinged)



**N.B.** Air vents must not be covered or blocked in any way.

The recommended thickness of furniture front is 1.9 cm but could be increased to 3.8 cm. In this case the niche depth has to be increased accordingly and maximum weight has to be considered.

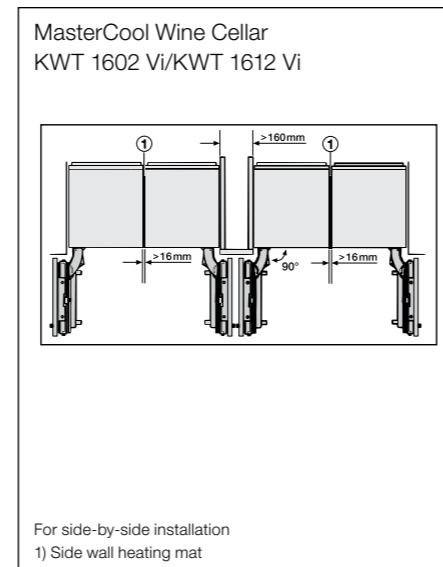
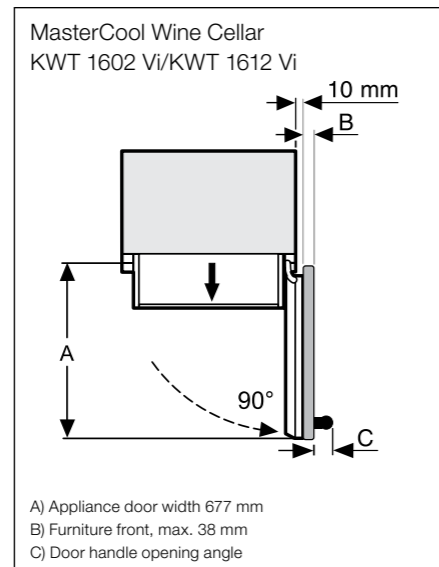
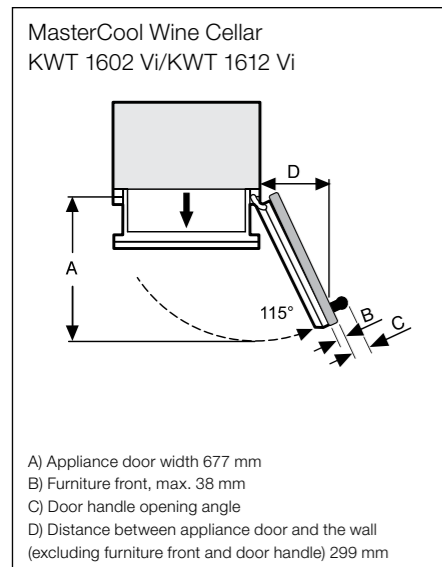
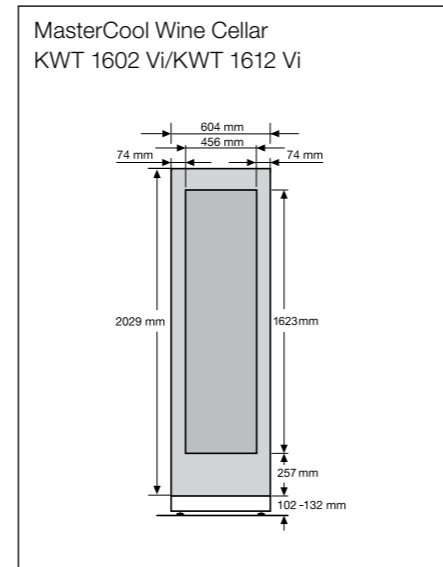
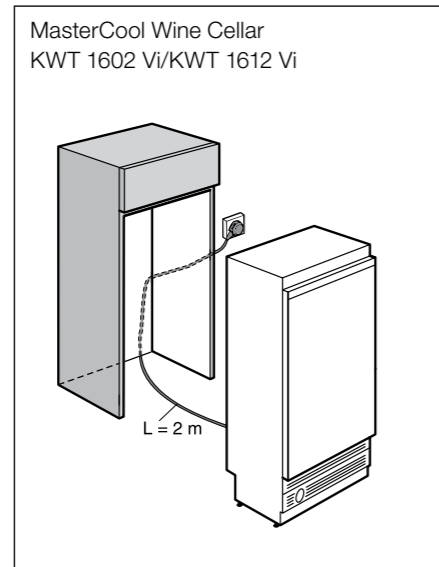
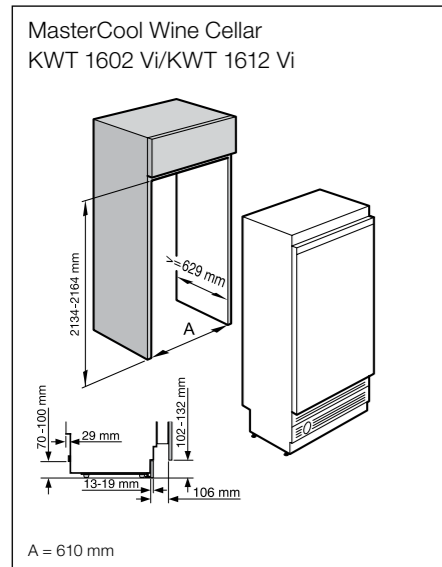
**N.B.** Air vents must not be covered or blocked in any way.

The recommended thickness of furniture front is 1.9 cm but could be increased to 3.8 cm. In this case the niche depth has to be increased accordingly and maximum weight has to be considered.

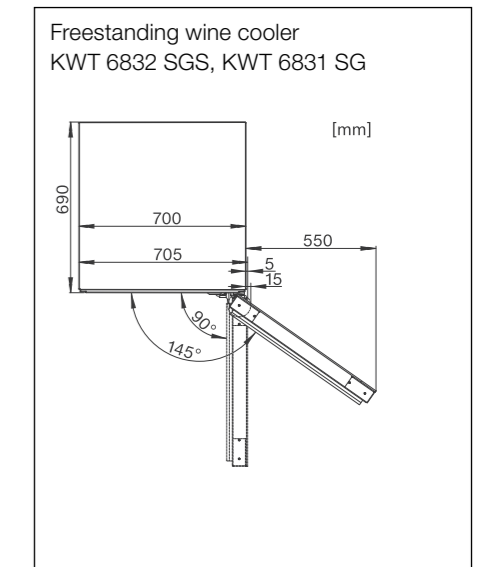
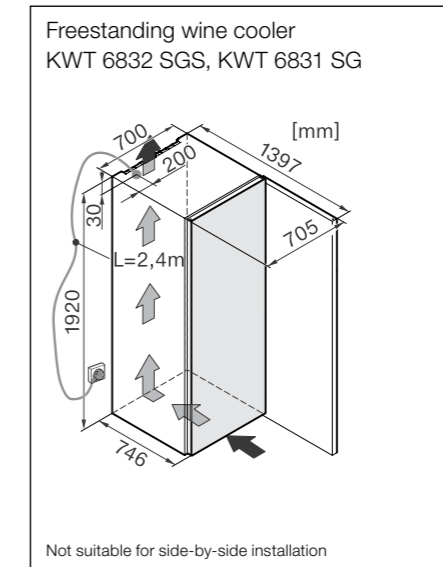


# Installation drawings: KWT 1602 Vi (Right hinged)/KWT 1612 Vi (Left hinged)

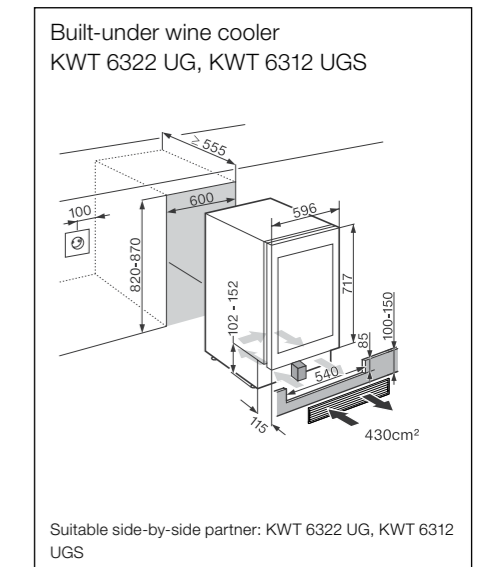
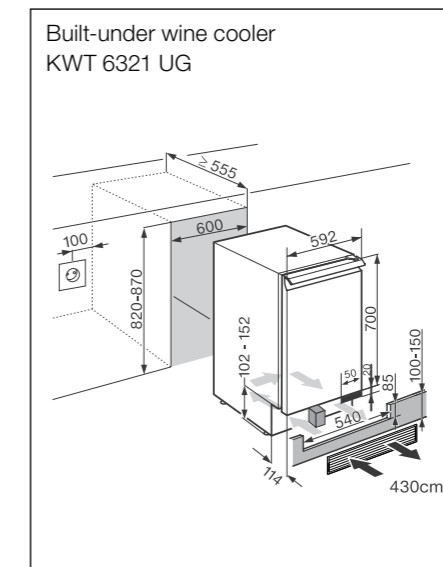
# Installation drawings



**Freestanding wine conditioning units**



**Built-under wine conditioning units**



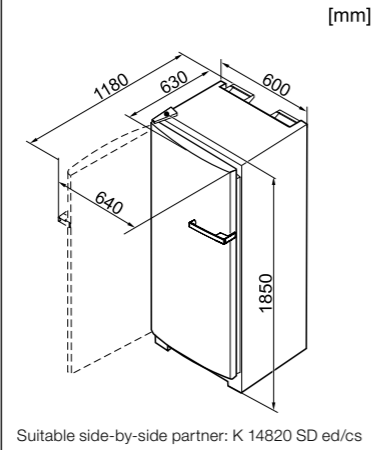
**N.B.** Air vents must not be covered or blocked in any way.

The recommended thickness of furniture front is 1.9 cm but could be increased to 3.8 cm. In this case the niche depth has to be increased accordingly and maximum weight has to be considered.

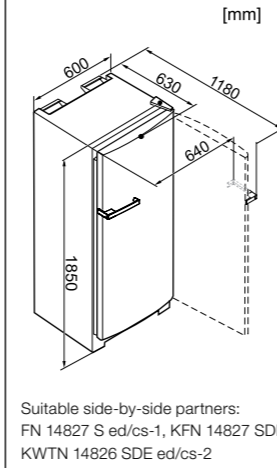
# Installation drawings

## Freestanding fridges, freezers and fridge-freezers

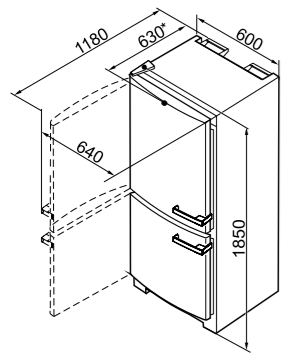
Freestanding freezer  
FN 14827 S ed/cs-1



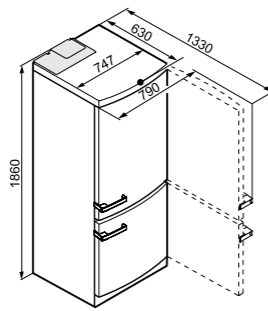
Freestanding fridge  
K 14820 SD ed/cs



Freestanding fridge-freezer  
KFN 14827 SDE ed/cs-2,  
KWTN 14826 SDE ed/cs-2 [mm]

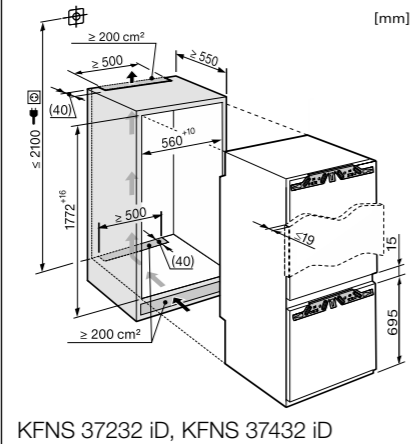


Freestanding fridge-freezer  
KFN 14842 SD ed/cs-1



## Integrated fridge-freezers

Built-in fridge-freezer



**N.B.** During periods of high humidity, some condensation may appear on outside surfaces of cooling appliances. This condensation will disappear when humidity levels drop. For prevention it is advisable to install the appliance with sufficient ventilation in a dry and/or an air-conditioned room. Please ensure that doors are closing and sealing properly.







## Ecological responsibility

At the heart  
of everything we do

The responsibility for our environment has been a long tradition at Miele for more than 110 years. Our natural environment is the foundation of our existence which we want to protect, for us and generations to come to have a good future. True to our motto "Forever better", we develop domestic appliances for customers, which reduces the burden on the environment and natural resources. This begins with the selection of materials, ensuring efficient production and ends, after a long machine life, in environmentally friendly recycling.

Our environmental standards pay their way in the long run: Miele's highly efficient domestic and built-in appliances ensure excellent performance and set standards in terms of low water and electricity consumption values too.

This coral logo represents the sustainability of Miele products. The fascination for coral lies in the dimensions of coral systems: from large coral reefs measuring many square metres down to millimetre-sized tentacles. Sustainability is perceived to work similarly: from global responsibility to technical details which contribute to saving resources and reducing the burden on the environment.

More on our efforts in terms of sustainability on [www.miele-sustainability.com](http://www.miele-sustainability.com)



## Miele quality

forever better

Miele stands for quality, innovation and internationally recognised product developments. Miele is a worldwide established premium brand and highly valued. The foundation for this success was laid by the founders Carl Miele and Reinhard Zinkann. With a guiding motto of being 'Forever Better', still valid to this day, they condensed the company's corporate philosophy to: "Success can only be achieved in the long run if one is totally and utterly convinced of the quality of one's products." The family-run Miele company has always kept this promise since its inception in 1899 and, in doing so, has helped to achieve a unique position worldwide within its industry.

### Quality made in Germany

First-class technology, best functionality and the ultimate in longevity – these values define Miele products as real premium appliances. Since the company was founded, Miele has been proving its competence with regards to perfect domestic appliances and hygiene. Miele appliances are highly reliable. This claim is endorsed by our in-house laboratory tests and ultimately over many years in your home.







## Professional care, functional tests and repair cover

### Exclusive Care

You have already made an excellent choice by buying Miele appliances with their legendary reputation for longevity. To give you total peace of mind for a very long time, Miele offers a special service: Exclusive Care. This service contract provides your appliances with professional maintenance checks by Miele service technicians. A diagnostic system, specially designed by Miele, is used to check your appliances and make sure they are kept up-to-date.

As well as making sure your appliances are in good working order, they will also be cleaned thoroughly using Miele care products. You will also be provided with some valuable advice on how to operate your Miele appliances. After carrying out Exclusive Care maintenance work, Miele offers a one-year repair cover.

#### **Miele in-house service Your partner for prompt servicing**

When you buy a Miele appliance you choose longevity and the best in quality. If, however, you require any help, Miele Service can provide rapid and reliable assistance. The quality of Miele Service is regularly checked by customer surveys and is also confirmed by independent institutes.

Miele defines perfect service as more than simply providing expert service in the event of technical problems. Miele provides support right through from installing the machine to any matters concerning the use of appliances.

Please contact our customer service care centre at +65 6735 1191 for more information.

